

General information on eurocard holders

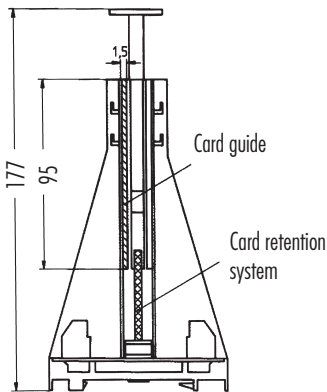
Various electronic circuits are fitted on to eurocards 100 x 160 mm and then placed in 19"- system housings. With Murrelektronik's plug in card holders, it is possible to build the eurocards into a control panel.

The series SKP or SKT can be simply snapped onto 35 mm DIN-rail to EN 60715.

Wiring is via screw terminals mounted on to the PCB of the card holder.

The eurocard holders offer a wide range of connectors. The various connector formats are defined in EN 60603 and DIN 41617. It is therefore only necessary to check the male connector on your card and choose the corresponding female socket version of the Murrelektronik eurocard holders.

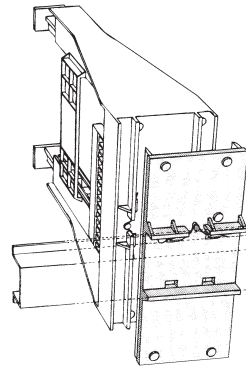
Instructions



The eurocard holders have two yellow push buttons on the top of the holders (i.e. forward facing when mounted). These are connected to the card retention system at the base of the card. When a card is inserted, it pushes down the clips and locks into place. By re-pressing the yellow push buttons the card is released and can be removed. This system ensures an optimal connection to the card at any times.

On the SKP, components with a height of up to 18 mm can be soldered onto the PCB.

Mounting method



The compact holder SKT can be mounted onto DIN-rail without any additional accessories, at 90 degree to it.

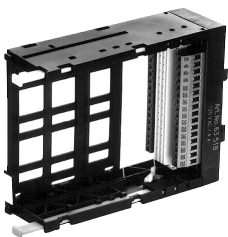
The SKP series require the SASA 135, Art.-No. 63900 snap foot to allow mounting at 90 degree.

Both models SKP and SKT can also be screw fixed as an alternative to DIN-rail.

The SKP series with 18 digits Art.-No. 4000-63011 . . . are rail mountable in both directions without accessories.

The connection can be done via spring clamp terminals.

Eurocard holders



SKT

Straight sided compact eurocard holders made of plastic for inserting eurocards 100 x 160 mm with 31-pole connector to DIN 41617 or 32-pole connectors EN 60603, form B, C, D or F.

Signal output via screw terminals.

DIN-rail mounting to EN 60715 or screw fixing.

from page 3.8.2



SKP

Compact eurocard holders made of plastic for inserting eurocards 100 x 160 mm with 31-pole connectors DIN 41617 or 11-, 15-, 32-, 48-, 64- or 96-pole connectors EN 60603, form B, C, D, F, G, M.

Signal output via screw or spring clamp terminals.

DIN-rail mounting to EN 60715 or screw fixing.

from page 3.8.4