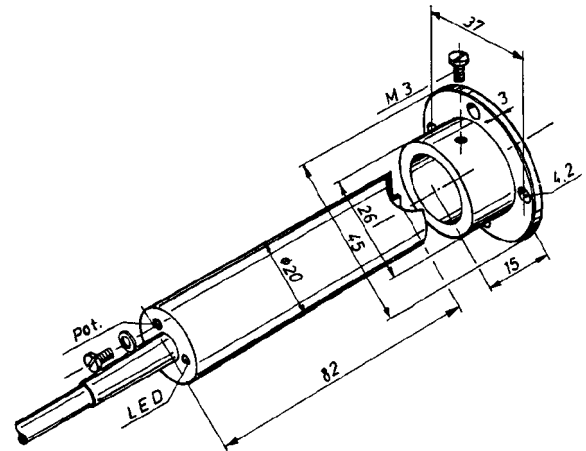


One-part sensor for controlling air and gaseous flows with integrated evaluation electronic. The air flow controller is mounted into the flow to be controlled as a stationary sensing unit with the flange or a PG 21 union.

The calorimetrically working unit with integrated evaluation electronic offers maintenance-free operation.

The sensor is available as switching unit with different output variations for controlling a limit flow value as well as with analogous output.



### Switching Output with S. C. P.

Type	Art.-No.	Connection technology
<b>FKM 130.10 G</b>	8005A	NPN n. c., 3 wire
<b>FKM 130.11 G</b>	8006A	NPN n. o., 3 wire
<b>FKM 130.12 G</b>	8007A	PNP n. c., 3 wire
<b>FKM 130.13 G</b>	8008A	PNP n. o., 3 wire

### Switching Output without S. C. P.

Type	Art.-No.	Connection technology
<b>FKM 130.10</b>	8001A	NPN n. c., 3 wire
<b>FKM 130.11</b>	8002A	NPN n. o., 3 wire
<b>FKM 130.12</b>	8003A	PNP n. c., 3 wire
<b>FKM 130.13</b>	8004A	PNP n. o., 3 wire

### Analogous Output

Type	Art.-No.	Output
<b>FKM 130.19</b>	8009A	0 - 10 V

The value of 3 m/s adjusted in the factory is preferred in the branches of building technology and constructional engineering, however it can be set subsequently to values between 1 and 10 m/s.

After applying the supply voltage the FKM 130 needs a start-up time delay of 3 minutes. After this delay the switching output (red LED) indicates the real condition of flow. The normally open version switches through and the red LED gives light when the limit value for flow is exceeded and opens if the flow falls below the set value (inverse behaviour of normally close versions).

A mounting flange is included in the scope of supply. Alternatively suitable clips or a PG 29 cable union can be used for pressure-tight assembly. The sensor must protrude approx. 25 mm (1 inch) into the air duct. The ceramic vane should be parallel to the air flow. Small deviations in vane orientation do not affect operation. Quick changes of temperature can result in misswitchings for a short time.

### Technical Data (Switching Output)

Adjusting range	1 - 10 m/s
Set limit value	3 m/s
Response time	max. 15 s
Starting time	3 min
Supply voltage	24 V DC
Load current max.	0 - 200 mA
Short circuit protection	yes
No load current	50 mA
Voltage drop	2 V
Switching hysteresis	max 30 %
Ambient temperature	-10 ... +60 °C
Protection class	IP 65
Connection	2 m cable
Function display	LED
Housing material	plastic

### Technical Data (Analogous Output)

Output	0 - 10 V ( $R_L \geq 10 \text{ K}\Omega$ )
Measuring range	0 - 16 m/s
Response time	15 s ( $t_{90}$ )
Starting time	5 min
Supply voltage	24 V DC
Power absorption	40 mA
Ambient temperature	0 ... +50 °C
Protection class	IP 65
Connection	2 m cable
Function display	LED
Housing material	plastic

All types also available with hermetically closed casing:  
**M2compact FKM 230**