

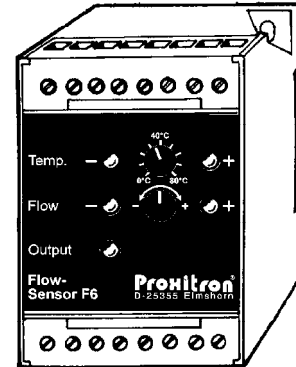
The flow sensor monitors water and oil circuits in cooling, lubrication and hydraulic plants as well as filling processes in food industry. The control unit for the external flow sensor FA indicates deviations from the adjustable values for flow velocity and temperature.

### Technical Data

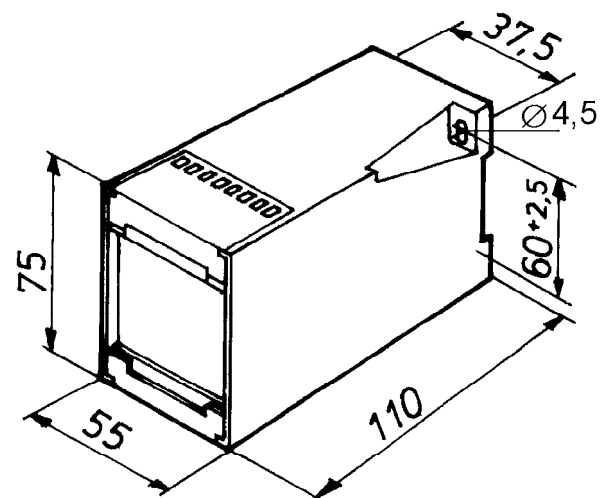
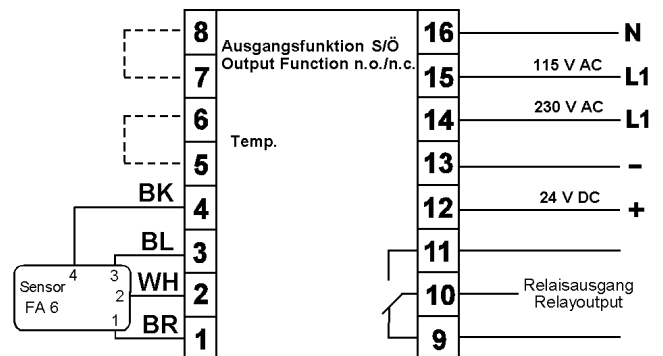
<b>Type</b>	<b>FSP 604.6 R</b>	
Art.-No.	8383B	
Flow range ( adjustable )	30 - 3000 mm/s	
Temperature range ( adjustable )	0 - 80 °C	
Supply voltage	terminal 16/14	230 V AC
	terminal 16/15	115 V AC
	terminal 12/13	24 V DC
Power frequency	45 - 65 Hz (at AC)	
Power absorption	max. 5 VA	
Readiness delay	45 s	
Output	Relay changeover contact	
Relay contact load max.	5A / 240 V AC	
Relay function in case of flow	Terminals 7/8 open: relay dropped (9/10 closed) Terminals 7/8 connected: relay pulled up (9/10 open)	
Temperature control and indication operate permanently. By closing of terminals 5/6 temperature control additionally acts upon the relay. Exceeding the limit value for temperature has the same effect as if the flow value falls below the limit value.		
Temperature hysteresis	5 K	
Ambient temperature	-20 to +70 °C	
Protection class	IP40, terminals IP 20	
Connection	self-opening terminals as per DIN 461990 upto 4 mm <sup>2</sup>	
Indication of function relay pulled-up	LED yellow	
Indication of operational margin	+30 % LED green gives intermittent light -30 % LED red gives intermittent light	
Casing	plastic casing for rail as per DIN 46277 / EN 50022 or 2 boreholes as per DIN 46121	

The sensor of series FA... is screwed into a pipe tee and connected with the control unit by a connection cable. Green and red LEDs indicate the states of operation for flow and temperature. If the values of flow or temperature come close to the limit values, a LED giving intermittent light indicates if the value falls below the operational margin. Due to this early warning simple adjustment at site is possible.

Sensor FA\_6 data sheet F31E



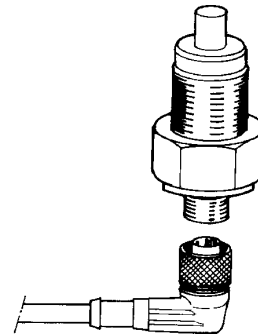
### Diagram of Connections



The sensors of series FA are applied for flow and temperature control of liquid media together with an control unit FSP 6

### Sensors

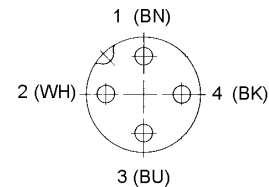
Type	Art.-No.	Thread
<b>FAC 601</b>	8373A	G 1/4"
<b>FACN 601</b>	8370A	NPT 1/4"
<b>FAE 601</b>	8384A	G 1/2"
<b>FAEN 601</b>	8368A	NPT 1/2"
<b>FAF 601</b>	8371A	G 3/4"
<b>FAFN 601</b>	8367A	NPT 3/4"



### Technical Data

Storage temperature	-40 ... +100 °C
Protection class	IP 67
Connection	plug S4 ( M12 x 1 )
Pressure resistance	100 bar
Casing material	stainless steel V2A (1.4305)

### Diagram of Connections

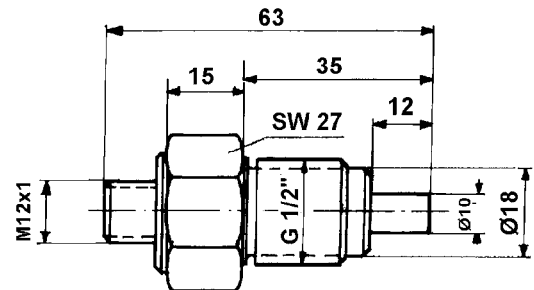


### Accessories (not included in the scope of supply)

Connection cable with injection-moulded angle coupling		
Length	Type	Art.-No.
2 m	<b>ST 041-2</b>	9841D
5 m	<b>ST 041-5</b>	9841E
Cable box for cable 4 x 0,5 mm <sup>2</sup>		
Type	Art.-No.	
<b>ST 040</b>	9841A	

Control unit FSP 6 data sheet F30E

### Dimensions (in mm) FAE 601



### Assembly

