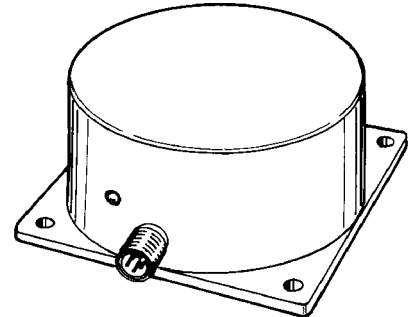


Short circuit protected proximity switch for higher operating distances.

4 wire connection with PNP normally open and normally close output.

## Technical Data

<b>Type</b>	<b>IKG 040.38 G S4</b>
Art.-No.	2112G
Rated operating distance (Sn)	40 mm
Output	PNP n. o. + n. c.
Operating distance adjustable	no
Target steel St37, 1mm thick	120 x 120 mm
Location at metal	flush
Supply voltage (U <sub>B</sub> )	10 - 55 V DC
Ripple voltage	max 15 %
Load current max.	0 - 400 mA
Short-time load current	2 A / 10 ms 0,8 A / 100 ms
Short circuit protection	Yes, pulsing
Voltage drop (U <sub>d</sub> )	1,5 V / 50 mA
No-load current (I <sub>0</sub> )	< 10 mA
Operating frequency (f)	100 Hz
Switching hysteresis (H)	1 - 15 %
Ambient temperature	-25 ... +70 °C
Protection class	IP 67
Connection	Plug S4 ( M12x1 )
Function display	LED
Housing material	aluminum
<b>Accessories</b> (please order separately)	<b>Art.-No.</b>
Suitable angular connector with moulded 2 m connection cable	9841D



## Diagram of Connections

