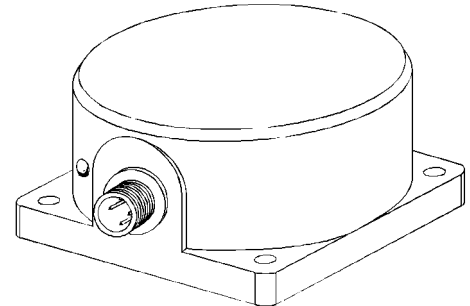


Short circuit protected proximity switch for higher operating distances.

3 wire connection with PNP normally open output.



## Technical Data

<b>Type</b>	<b>IKK 060.33 G S4</b>
Art.-No.	2046B
Rated operating distance (Sn)	60 mm
Output	PNP normally open
Operating distance adjustable	no
Target steel St37, 1mm thick	180 x 180 mm
Location at metal	non flush
Supply voltage (UB)	10 - 55 V DC
Ripple voltage	max 15 %
Load current max.	0 - 400 mA
Short-time load current	2 A / 10 ms 0,8 A / 100 ms
Short circuit protection	Yes, pulsing
Voltage drop (Ud)	1,5 V / 50 mA
No-load current (I0)	< 10 mA
Operating frequency (f)	30 Hz
Switching hysteresis (H)	1 - 15 %
Ambient temperature	-25 ... +70 °C
Protection class	IP 67
Connection	Plug S4 ( M12x1 )
Function display	LED
Housing material	plastic PBT
<b>Further available designs:</b>	<b>Art.-No.:</b>
With adjustable operating distance	2046C
<b>Accessories</b> (please order separately)	<b>Art.-No.</b>
Suitable angular connector with moulded 2 m connection cable	9841D

## Diagram of Connections

