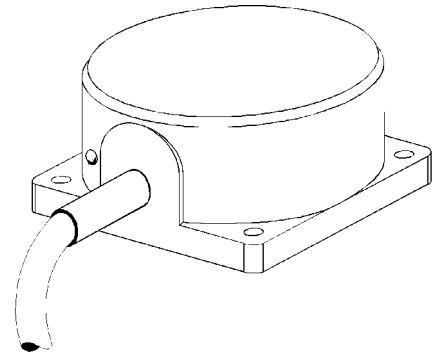


Short circuit protected proximity switch with 2-wire technology for higher operating distances.

upto +100 °C



## Technical Data

<b>Type</b>	<b>IKK 050.05 GH</b>
Art.-No.	20441
Rated operating distance (Sn)	50 mm
Output	normally open
Operating distance adjustable	no
Target steel St37, 1 mm thick	150 x 150 mm
Location at metal	non flush
Supply voltage (UB)	20 - 260 V AC/DC
Power frequency	40 - 440 Hz
Ripple voltage	max. 15 % (DC)
Load current max.	5 - 400 mA
Short- time load current	0,8 A / 100 ms 2 A / 10 ms
Short circuit protection	yes
Residual current (Ir)	1,7 mA / 260 V AC 1,0 mA / 24 V DC
Voltage drop (Ud)	9 V
Operating frequency (f) AC/DC	25 Hz / 100 Hz
Switching hysteresis (H)	1 - 15 %
Ambient temperature	-25 ... +100 °C
Protection class	IP 67*
Connection	2m silicone cable
Function display	LED
Housing material	plastic PBT

## Diagram of Connections

