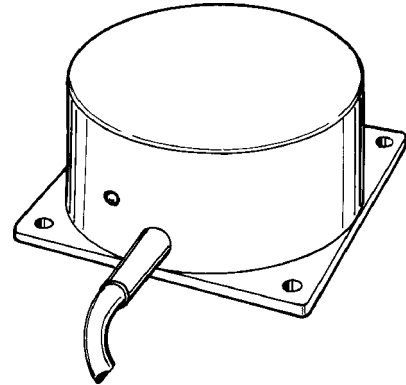


Short circuit protected proximity switch with aluminium housing and 2-wire technology for higher operating distances.

### Technical Data

Type	<b>IKG 040.05 G</b>
Art.-No.	<b>2115C</b>
Rated operating distance (S <sub>n</sub> )	40 mm
Output	normally open
Operating distance adjustable	no
Target steel St37, 1 mm thick	120 x 120 mm
Location at metal	flush
Supply voltage (U <sub>B</sub> )	20 - 260 V AC/DC
Power frequency	40 - 440 Hz
Ripple voltage	max. 15 % (DC)
Load current max.	5 - 400 mA
Short- time load current	0,8 A / 100 ms 2 A / 10 ms
Short circuit protection	yes, pulsing
Residual current (I <sub>r</sub> )	1,7 mA / 260 V AC 1,0 mA / 24 V DC
Voltage drop (U <sub>d</sub> )	9 V
Operating frequency (f) AC/DC	25 Hz / 100 Hz
Switching hysteresis (H)	1 - 15 %
Ambient temperature	-25 ... +70 °C
Protection class	IP 67
Connection	2 m cable
Function display	LED
Housing material	aluminium



### Diagram of Connections

