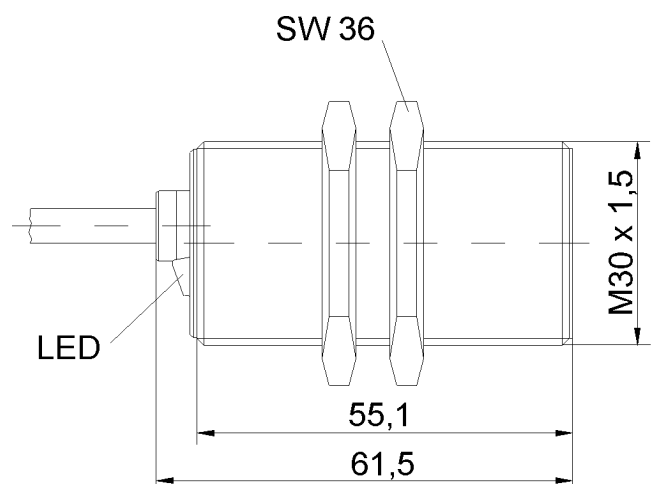
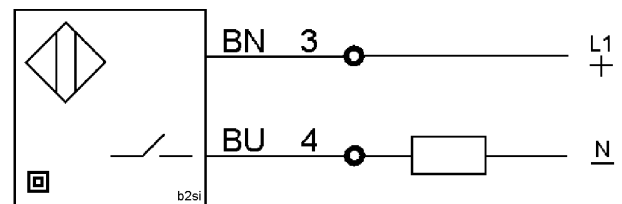


Short circuit protected proximity switch with M30 brass housing and AC/DC 2-wire technology.

## Technical Data

<b>Type</b>	<b>IKZ 302.05 G</b>
Art.-No.	2374A
Rated operating distance (Sn)	10 mm
Output	normally open
Operating distance adjustable	no
Target steel St37, 1 mm thick	30 x 30 mm
Location at metal	flush
Supply voltage (UB)	20 - 250 V AC/DC
Load current max.	5 - 250 mA
Short- time load current	2 A / 20 ms
Short circuit protection	yes
Residual current (Ir)	1,7 mA / 110 V AC
Voltage drop (Ud)	9 V
Operating frequency (f)	≤ 150 Hz
Switching hysteresis (H)	1 - 15 %
Ambient temperature	-25 ... +70 °C
Protection class	IP 67
Connection	3 m cable
Function display	LED
Housing material	Brass, nickel plated
<b>Further available designs:</b>	<b>Type:</b>
with 5 m cable	IKZ 302.05 G
Art.-No.	2374A-5

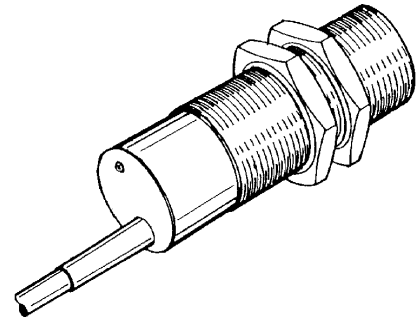
## Diagram of Connections



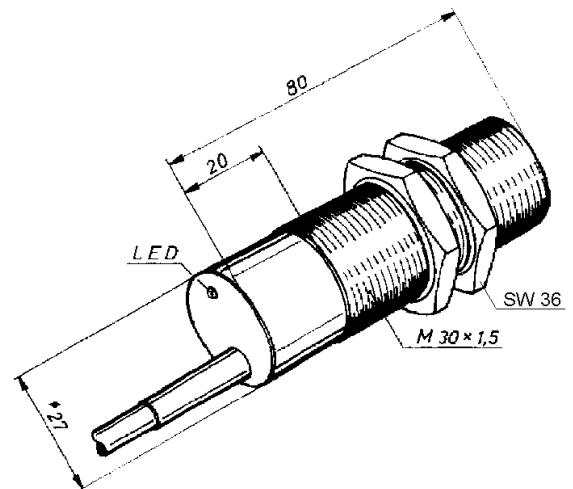
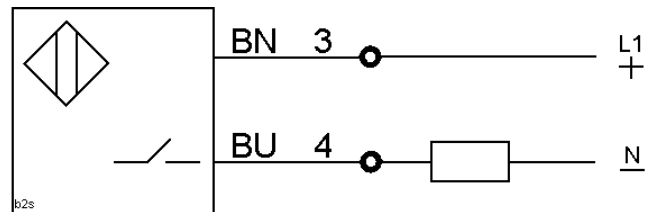
Short circuit protected proximity switch with AC/DC 2-wire technology.

## Technical Data

<b>Type</b>	<b>IKL 010.05 G</b>
Art.-No.	2434C
Rated operating distance (Sn)	10 mm
Output	normally open
Operating distance adjustable	no
Target steel St37, 1 mm thick	30 x 30 mm
Location at metal	flush
Supply voltage (UB)	20 - 260 V AC/DC
Power frequency	40 - 440 Hz
Ripple voltage	max. 15 % (DC)
Load current max.	5 - 400 mA
Short- time load current	0,8 A / 100 ms 2 A / 10 ms
Short circuit protection	yes
Residual current (Ir)	1,7 mA / 260 V AC 1,0 mA / 24 V DC
Voltage drop (Ud)	9 V
Operating frequency (f) AC/DC	25 Hz / 200 Hz
Switching hysteresis (H)	1 - 15 %
Ambient temperature	-25 ... +70 °C
Protection class	IP 67
Connection	2m cable
Function display	LED
Housing material	plastic PBT



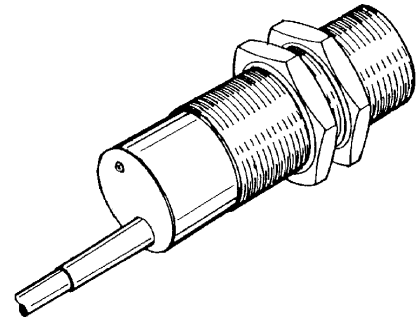
## Diagram of Connections



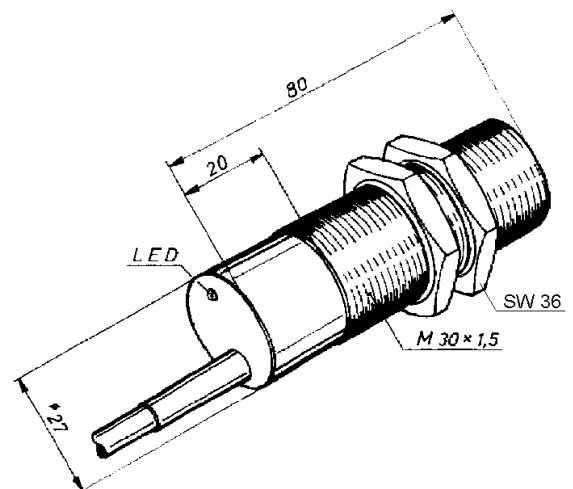
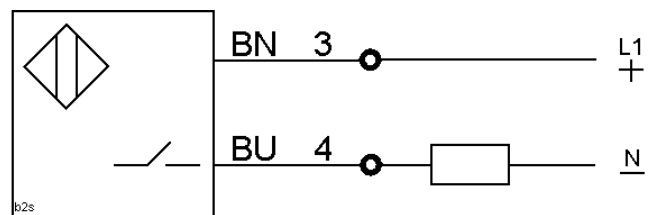
Short circuit protected proximity switch with AC/DC 2-wire technology.

## Technical Data

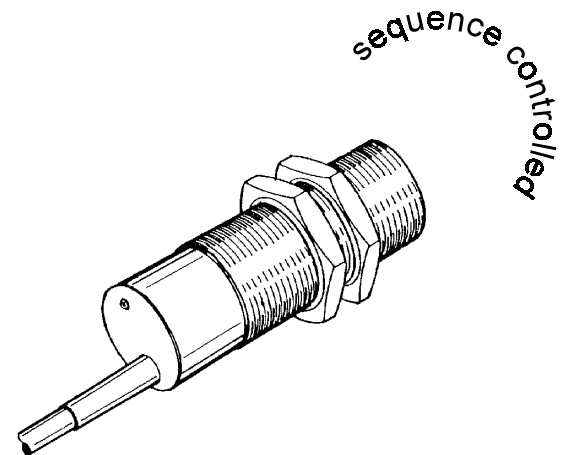
<b>Type</b>	<b>IKL 015.05 G</b>
Art.-No.	2377B
Rated operating distance (Sn)	15 mm
Output	normally open
Operating distance adjustable	no
Target steel St37, 1 mm thick	45 x 45 mm
Location at metal	non flush
Supply voltage (U <sub>B</sub> )	20 - 260 V AC/DC
Power frequency	40 - 440 Hz
Ripple voltage	max. 15 % (DC)
Load current max.	5 - 400 mA
Short- time load current	0,8 A / 100 ms 2 A / 10 ms
Short circuit protection	yes
Residual current (I <sub>r</sub> )	1,7 mA / 260 V AC 1,0 mA / 24 V DC
Voltage drop (U <sub>d</sub> )	9 V
Operating frequency (f) AC/DC	25 Hz / 200 Hz
Switching hysteresis (H)	1 - 15 %
Ambient temperature	-25 ... +70 °C
Protection class	IP 67
Connection	2m cable
Function display	LED
Housing material	plastic PBT
<b>Further available designs:</b>	<b>Type:</b>
with ambient temperature +100° C and 2m silicone cable	IKL 015.05 GH



## Diagram of Connections



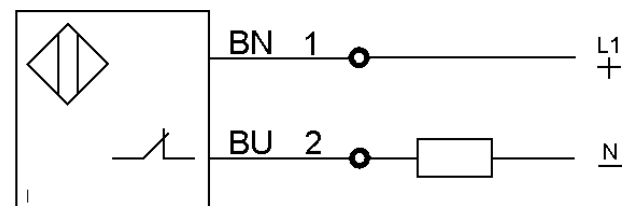
Program-controlled proximity switch in all-current technology in M 30 casing of plastic material for progress control, e. g. in advertising displays. The integrated controller has the function of a sophisticated external control.



### Technical Data

<b>Type</b>	<b>IKL 015.04 Z</b>
Art.-No.	2376B
Rated operating distance (S <sub>n</sub> )	15 mm
Output	normally closed
Target steel St37, 1mm thick	45 x 45 mm
Location at metal	non flush
Supply voltage (U <sub>B</sub> )	20 - 260 V AC/DC
Power frequency	40 - 440 Hz
Load current max.	8 - 400 mA
Short - time load current	0,8 A / 100 ms 2 A / 10 ms
Short circuit protection	no
Residual current (I <sub>r</sub> )	2 mA / 260 V AC
Voltage drop (U <sub>d</sub> )	9 V
Switching hysteresis (H)	1 - 15 %
Ambient temperature	-25 ... +70 °C
Protection class	IP 67
Connection	0,3 m cable
Function display	LED
Housing material	plastic

### Diagram of Connections



When mains voltage is applied, the output controls (normally-close behaviour). After the sensor is actuated, the output blocks for 13 seconds and then becomes conducting again regardless off the state of vaporisation again.

The application requires regular change of the output signal. This behaviour is controlled internally and when the signal has not been changed for 3 minutes, the output is permanently blocked. If service voltage is interrupted, return to normal operation is possible.

