

Single-phase

Control, isolation and safety transformers to EN 61558

Touch protected to EN 60529 (IP20)

Isolation class T 60/B

Approvals:



MET

Input voltage 230 V AC $\pm 5\%$
Output voltage 230 V AC



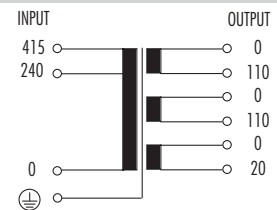
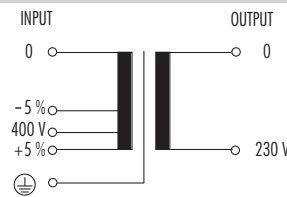
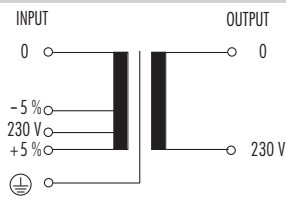
MET

Input voltage 400 V AC $\pm 5\%$
Output voltage 230 V AC

MET

Input voltage 240/415 V AC
Output voltage 110/240 V AC

Circuit diagram



Ordering data

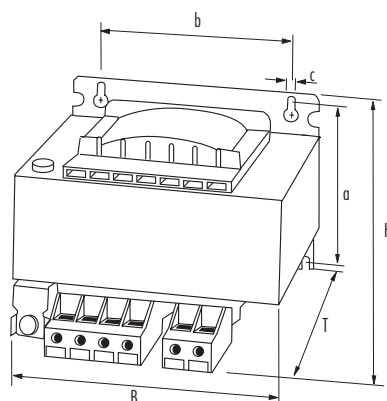
	Art.-No.	Art.-No.	Art.-No.
Nominal power rating			
30 VA	86210	86211	
50 VA	86230	86231	86235
63 VA	86250	86251	86255
100 VA	86000	86001	86005
250 VA	86010	86011	86015
500 VA	86020	86021	86025
630 VA	86030	86031	86035
800 VA	86040	86041	86045
1000 VA	86050	86051	86055
1500 VA	86060	86061	
2000 VA	86070	86071	
3000 VA	86090	86091	
4000 VA		86111	
5000 VA		86131	

Technical data

Input voltage	230 V AC $\pm 5\%$	400 V AC $\pm 5\%$	240/415 V AC
Output voltage	230 V AC	230 V AC	110/240 V AC
Frequency	50/60 Hz		
Transformer specification	EN 61558-2-4 and EN 62041 category 0		
Test voltage	prim./sec. 4 kV AC		
Isolation class	T 60/B, up to 2000 VA T40/B		
Temperature range	-20...+60 °C, up to 2000 VA +40 °C, no condensation		
Mounting method	key-hole mounting, up to 2000 VA with long-hole mounting		

Dimension drawing/Dimensions

(mm)



	H x B x T	a x b x c	Ø	Weight
30 VA	53 x 66 x 81	42 x 50 x 4.8	4.8 x 8	0.65 kg
50 VA	59.5 x 78 x 90	47.5 x 56 x 4.8	4.8 x 8	1.15 kg
63 VA	68 x 78 x 90	56 x 56 x 4.8	4.8 x 8	1.6 kg
100 VA	80 x 84 x 95	65 x 64 x 4.8	4.8 x 8	2.1 kg
250 VA	92.4 x 120 x 122	74.4 x 90 x 5.8	5.8 x 12	4.5 kg
500 VA	107 x 150 x 148	83.5 x 122 x 7	7 x 15	6.8 kg
630 VA	129 x 150 x 144	107 x 122 x 7	7 x 15	8.2 kg
800 VA	117 x 174 x 160	92 x 135 x 7	7 x 15	11.2 kg
1000 VA	137 x 174 x 160	112 x 135 x 7	7 x 15	14.8 kg
1500 VA	168 x 174 x 160	142 x 135 x 7	7 x 15	21 kg
2000 VA	195 x 250 x 168	174 x 200 x 7	7 x 13	24 kg
3000 VA	195 x 250 x 193	174 x 200 x 7	7 x 13	30 kg
4000 VA	195 x 250 x 208	174 x 200 x 7	7 x 13	32 kg
5000 VA	195 x 250 x 219	174 x 200 x 7	7 x 13	40 kg

Single-phase

Control, isolation and safety transformers to EN 61558

Touch protected to EN 60529 (IP20)

Isolation class T 60/B

Approvals:

MET

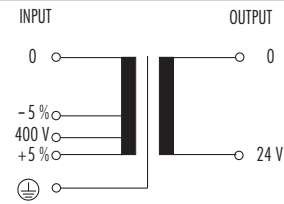
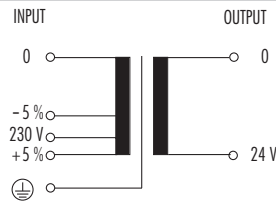
Input voltage 230 V AC $\pm 5\%$
Output voltage 24 V AC SELV



MET

Input voltage 400 V AC $\pm 5\%$
Output voltage 24 V AC SELV

Circuit diagram

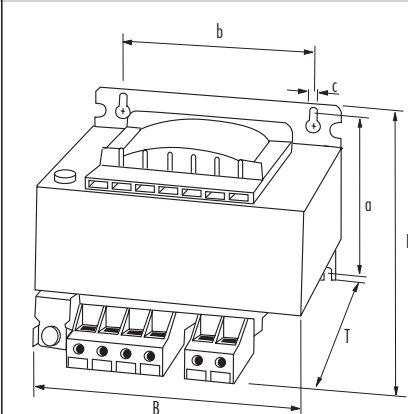


Ordering data	Art.-No.	Art.-No.
Nominal power rating		
30 VA	86213	86214
50 VA	86233	86234
63 VA	86253	86254
100 VA	86003	86004
250 VA	86013	86014
500 VA	86023	86024
630 VA	86033	86034
800 VA	86043	86044
1000 VA	86053	86054

Technical data

Input voltage	230 V AC $\pm 5\%$	400 V AC $\pm 5\%$
Output voltage	24 V AC SELV	
Frequency	50/60 Hz	
Transformer specification	EN 61558-2-6 and EN 62041 category 0	
Test voltage	prim./sec. 4 kV AC	
Isolation class	T 60/B	
Temperature range	-20...+60 °C, no condensation	
Mounting method	key-hole mounting	

Dimension drawing/Dimensions



	H x B x T	a x b x c	Ø	Weight
30 VA	53 x 66 x 81	42 x 50 x 4.8	4.8 x 8	0.65 kg
50 VA	59.5 x 78 x 90	47.5 x 56 x 4.8	4.8 x 8	1.15 kg
63 VA	68 x 78 x 90	56 x 56 x 4.8	4.8 x 8	1.6 kg
100 VA	80 x 84 x 95	65 x 64 x 4.8	4.8 x 8	2.1 kg
250 VA	92.4 x 120 x 122	74.4 x 90 x 5.8	5.8 x 12	4.5 kg
500 VA	107 x 150 x 148	83.5 x 122 x 7	7 x 15	6.8 kg
630 VA	129 x 150 x 144	107 x 122 x 7	7 x 15	8.2 kg
800 VA	117 x 174 x 160	92 x 135 x 7	7 x 15	11.2 kg
1000 VA	137 x 174 x 160	112 x 135 x 7	7 x 15	14.8 kg