

Smoothed

to EN 61558

Touch protected to EN 60529 (IP20)

MEN

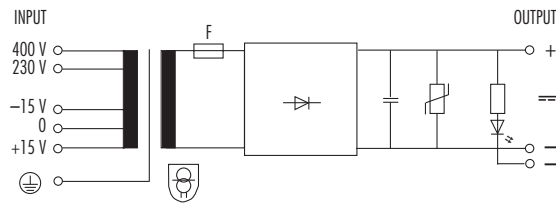
Input voltage 230/ 400 V AC
± 15 V tapings



Approvals:



Circuit diagram



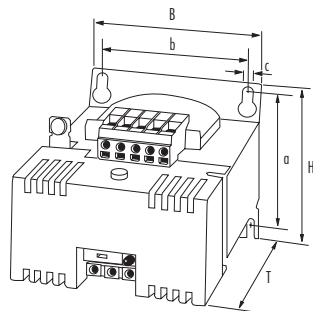
Ordering data	Art.-No.	Art.-No.	Art.-No.	Art.-No.
Output rating				
24 V DC/ 1 A	24 W	8985349		
24 V DC/2.5 A	60 W		8985350	
24 V DC/ 5 A	120 W			8985351
24 V DC/7.5 A	180 W			85357

Input				
Input voltage	230/ 400 V AC ± 15 V			
Input current	0.25/ 0.145 A	0.5/ 0.28 A	0.97/ 0.56 A	1.44/ 0.84 A
Input fuse (external)	0.4/ 0.25 A T	0.8/ 0.5 A T	1.6/ 1.0 A T	2/ 1.25 A T
Frequency	50/60 Hz			

Output					
Output voltage	24 V DC SELV				
Max. output current	Ta 60/40°C	1/ 1.5 A	2.5/ 3 A	5/ 6 A	7.5/ 9 A
Effective ripple	< 5 %				
Output fuse	3 A (automotive fuse FKS)	5 A (automotive fuse FKS)	10 A (automotive fuse FKS)	15 A (automotive fuse FKS)	
Output filter	LED, VDR and smoothing capacitor				

General data					
Guidelines	EN 61558-2-6, EN 62041 Cat.1, EN 55011 B, EN 61000-3-2				
Temperature range	-20...+60 °C, no condensation				
Mounting method	key-hole mounting				
Weight	1.25 kg	2.1 kg	3 kg	5.6 kg	
Dimensions	H x B x T	64 x 78 x 120 mm	83 x 84 x 124 mm	95 x 96 x 136 mm	103 x 105 x 150.5 mm
Fixing centers	a x b x c	47.5 x 56 x 4.8 mm	65.5 x 64 x 4.8 mm	75 x 84 x 5.8 mm	86.5 x 90 x 5.8 mm

Dimension drawing/Fixing centers



Notes

MEN power supply units meet the EN 61000-3-2 guideline. Products without snap on adapter Art.-No. change from 8985...into 85... (89 will drop). Suitable snap adapter and replacement fuses see page 4.9.2. Wall mounting with any orientation.

Smoothed
to EN 61558

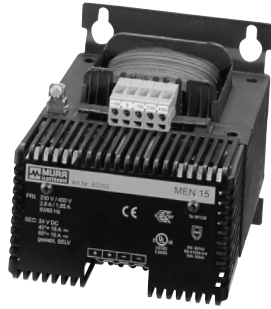
Touch protected to
EN 60529 (IP20)

Approvals:

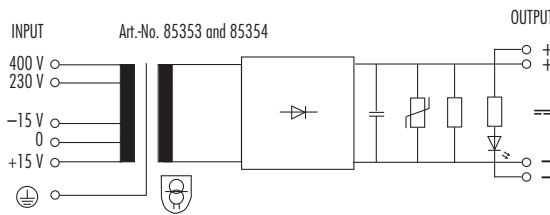


MEN

Input voltage 230/ 400 V AC
± 15 V tapings



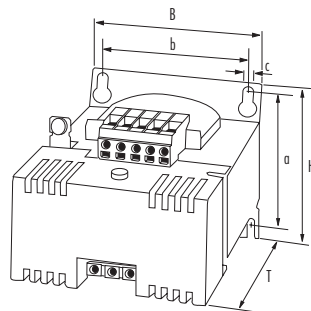
Circuit diagram



Ordering data	Art.-No.	Art.-No.	Art.-No.
Output rating			
24 V DC/ 10 A	240 W	85352	
24 V DC/ 15 A	360 W		85353
24 V DC/ 20 A	480 W		85354

Input			
Input voltage	230/ 400 V AC ± 15 V		
Input current	1.7/ 0.97 A	2.8/ 1.65 A	3.7/ 2.15 A
Input fuse (external)	3.15/ 1.6 A T	4/ 2.5 A T	5/ 3.15 A T
Frequency	50/60 Hz		
Output			
Output voltage	24 V DC SELV		
Max. output current	Ta 60/40°C	10/ 12 A	15/ 18 A
Effective ripple	< 5 %		
Output fuse	20 A (automotive fuse FKS)	no	
Output filter	LED, VDR and smoothing capacitor		
General data			
Guidelines	EN 61558-2-6, EN 62041 Cat.1, EN 55011 B, EN 61000-3-2		EN 55011 A
Temperature range	-20...+60 °C, no condensation		
Mounting method	key-hole mounting		
Weight	6 kg	8.2 kg	12.8 kg
Dimensions	H x B x T	112.5 x 120 x 160 mm	138.5 x 135 x 181.5 mm
Fixing centers	a x b x c	94.5 x 90 x 5.8 mm	126 x 104 x 6.5 mm
102 x 135 x 7 mm			

Dimension drawing/Fixing centers



Notes

MEN power supply units meet the EN 61000-3-2 guideline, except Art.-No. 85354.
Wall mounting with any orientation.