

Overview

1. Software







- Easy parameter software for counter types 716/717 and process displays and controllers 55x.

see page 186








2. Accessories for counters with panel cut out 22,2 x 45, 25 x 50 or 29 x 552.1				
Front bezels	Accessories	for counter types	Remarks	Page
	Slip on bezel 37.2, for panel cut-out 25 x 50 mm	W15.5, W16.5, W17.5 CODIX 13x, CODIX 52x, H37	available in black and silver anodized, as set	187
	Bezel adapter 37.1 for cut-out 25 x 50 mm with screw fixing	W15.5, W16.5, W17.5 CODIX 13x, CODIX 52x, H37	available in black, grey and anthracite	187
	Bezel adapter for cut-out 68 x 33 mm	W15.5, W16.5, W17.5 CODIX 13x, CODIX 52x, H37	available in black, grey silver anodized as set	187
	Bezel adapter 50 x 60 for 18x counter for screw fixing with sealing gaskets	184, 185, 186, 187 CODIX 13x	available in black	187
	Bezel adapter 50 x 60 mm for panel cut-out 29 x 55 mm for screw fixing with sealing gaskets	52X, 13X, H37, W15.5, W16.5, W17.5	available in black	188
	Bezel adapter 24 x 48 mm for panel cut-ou 48 x 48 mm for screw fixing with sealing gaskets	52X, 13X, H37, W15.5, W16.5, W17.5	available in black	188
	Front bezel for cut-out 29 x 55 mm Size F1	B/HB counter	available in black and beige; plug in from front	188

2.2 Socket boxes				
	Accessories	for counter type	Remarks	Page
	Socket box 945.2	B/HB counter	plug in from front	193

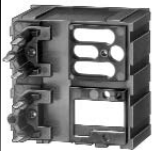

Overview







2.3 Sealing covers	Accessories	for counter types	Remarks	Page
	Flexible sealing cover type K1 for size F1, IP65	B, HB or 29 x 48 mm counter in adapter bezel 50 x 60 mm		188
	Sealing covers 1 DV for size F1, IP 65, with front bezel	B, HB or 29 x 48 mm counter with adapter bezel 50 x 60 mm	lockable front bezel, screw-on with gasket, using M4 fixing screws	189
	Transparent cover 1 DV for size F1, IP65 with key lock	B, HB with front bezel 50 x 60 mm	Front bezel with key lock, with 2 gaskets, can be screwed on to counter bezel	189
	Transparent cover 1 DV S for size F1, IP65, with key-lock	B, HB with front bezel 50 x 60 mm	Front bezel with key lock, with 2 gaskets can be screwed on to counter bezel, supplied with two keys	189

Overview







3. Accessories for counters with cut-out 45 x 45, 50 x 50 or 54 x 54				
3.1 Front panel	Accessories	for counter type	Remarks	Page
	Bezel adapter 55 for cut-out 50 x 50 to 45 x 45	H57 and HC77	black	190
	Bezel adapter 55 for el. counter 45 x 45 for cut-out 50 x 50	901, 903, 904, 715 CODIX 716/717, 910	Colour anthracite	190
	Adapter 75 x 60 for cut-out 50 x 50 mm to 45 x 45 for screw fixing	901, 903, 904, 715 CODIX 716/717, 910		190
	Bezel adapter 68 x 68 to 45 x 45; additional retaining bezel available	H57 and HC77	available in grey and black	191
	Bezel adapter for hole ø 60	H57 and HC77		191
	Front bezel F2B for cut-out 54 x 54, Size F2 for one BVa or two B counter	BVa and B counter HVa and HB counter	plug in from front	191
	Front bezel F2M for cut-out 54 x 54, size F2 for one MVs or two M counter	MVs or M counter	plug in from front	192

Overview

3.2 Socket boxes	Accessories	for counter types	Remarks	Page
	Socket box type 946.1	BVa	plug in from front plastic	192
	Socket box type 926.1	MVs	plug in from front	192

3.3 Sealing covers	Accessories	for counter types	Remarks	Page
	Flexible sealing cover for size F2, types K2, IP65	BVa and B counters, el. preset counters front bezel adapter 75 x 60 mm		193
	Sealing cover transparent for MVs 13 TypKV3, IP 65	MVs 13	Material: Steel	195
	Sealing cover transparent type 2 DV for size F1, with gasket, IP 65	BVa and B counters, el. preset counters with adapter front bezel 75 x 60 mm		195
	Sealing cover with key-lock type 2 DVs, IP 65 with gasket	BVa and B counter, el. preset counters with front bezel adapter 75 x 60 mm	with two keys	195
	Lockable transparent cover with bezel adapter for counters with dimensions 45 x 45 to cut-out 50 x 50	901, 903, 904, 715 CODIX 716/717, 910		195
	Lockable transparent cover with bezel adapter for counters with dimensions 45 x 45 to cut-out 50 x 50	901, 903, 904, 715 CODIX 716/717, 910		195

Overview

4. Special accessories				
4.1 Front bezel	Accessories	for counter type	Remarks	Page
	Front bezel F3B, die-cast aluminium for cut-out 81 x 55 mm	1 x BVa, 1 x B or 3 x B, HVa and HB	available in black or beige	196
	Front bezel F4B die-cast aluminium for cut-out 25 x 50 mm with screw fixing	2 x Bva or 1 x Bva and 2 x B or 4 x B	available in black or beige	196
	Enclosure	Counter for cut-out 25 x 50 mm, 22.2 x 45 mm with bezel adapter or 45 x 45 mm	available in two sizes	197
	Rail mount frames	BVa or B HVa or HB	available in 3 versions	197
	Terminal cover for H37	H37	transparent	197
	Add on socket for H57 and HC77 on DIN rail	H57, HC77	available in black	199

EzControl



- Easy parameter software for counter type 716/717 and process displays 55x.
- Upload and download function
- Monitor- and terminal program for easy diagnostic functions
- Online display of the measurement values
- German and english.

EzControl software on CD

Order No.: N 150.080

Accessoires:

RS 232 interface cable to the counter

Order No.: N 140.076

RS 232 <=> RS 485/422 interface converter with power supply and cable to counter

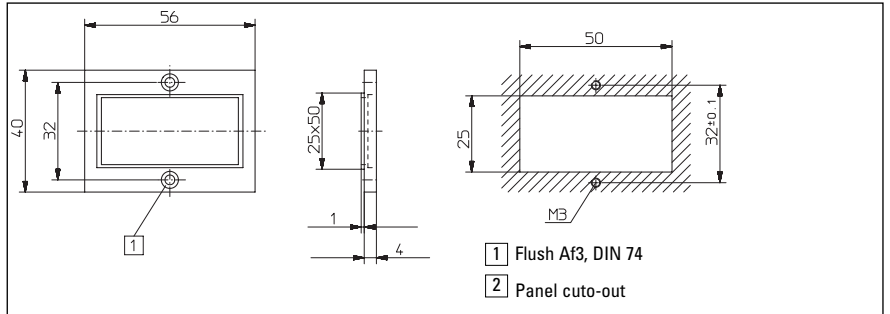
Order No.: N 150.002

RS 232 <=> RS 485/422 interface converter with power supply and cable to counter for the US market (110 V AC)

Order No.: N 150.003

Bezel

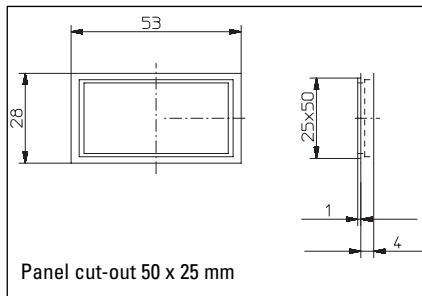
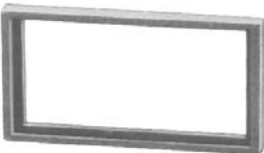
Slip-on bezel **37.1**



Suitable for counter::
W15.5, W16.5, W17.5, **CODIX** 13x,
CODIX 52x, H37

Ordering information:
grey: Art. No. T008 160
anthracite Art. No. T008 181

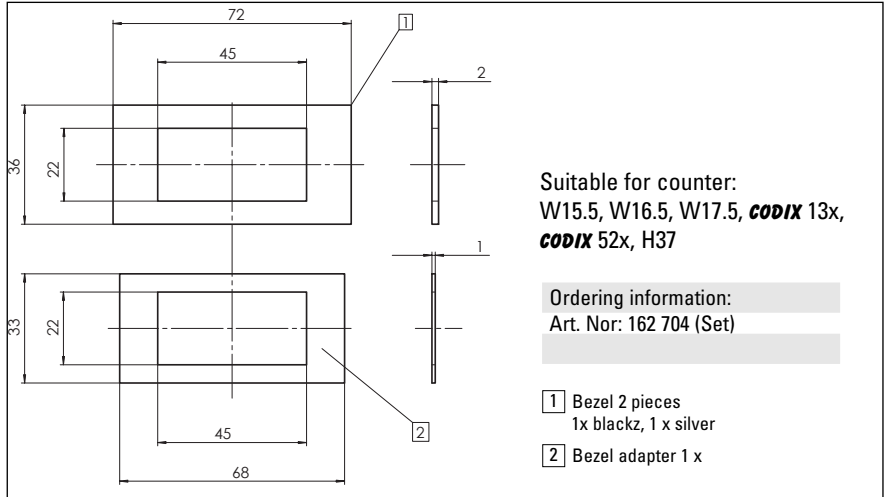
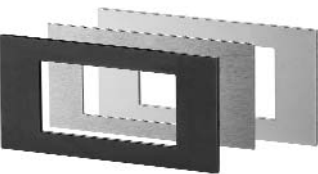
Slip-on bezel **37.2**



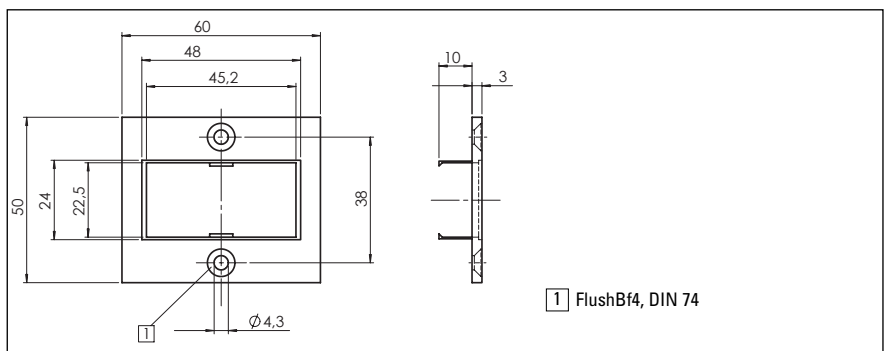
Suitable for counter::
W15.5, W16.5, W17.5, **CODIX** 13x,
CODIX 52x, H37

Ordering information:
grey: Art. No. T008 164
anthracite: Art. No. T008 180

Bezel adapter for cut-out
68 x 33 mm



Bezel adapter 50 x 60 mm for
screw fixing



Suitable for counter:
184, 185, 186, 187

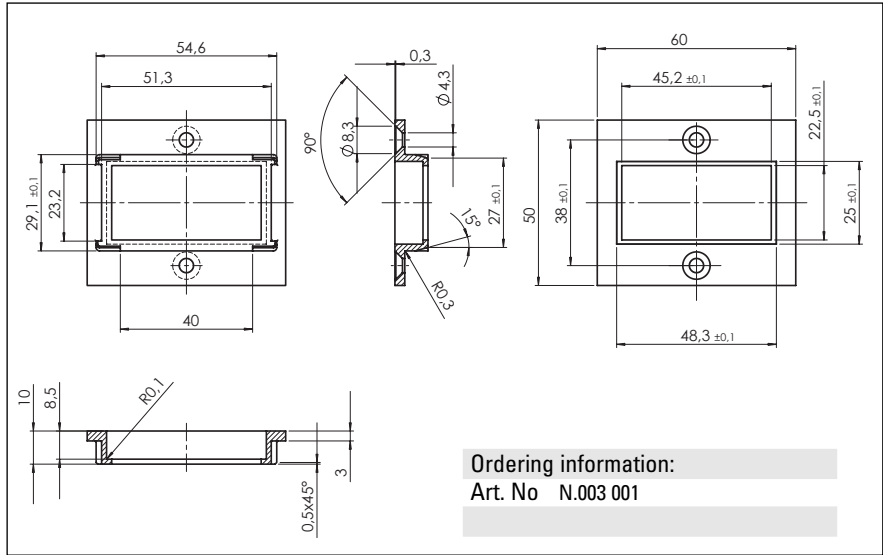
Ordering information
Art. No. N.510 219

Bezels

Bezel adapter for panel cut-out 29 x 55 mm



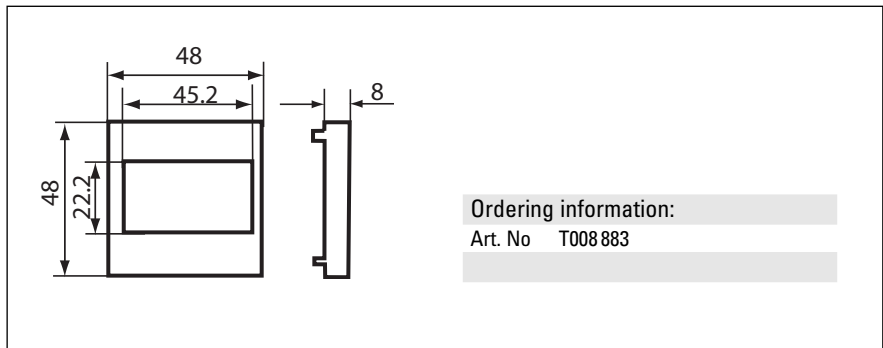
Suitable for counters:
CODIX 13x, **CODIX** 52x, W15.5,
W16.5, W17.5



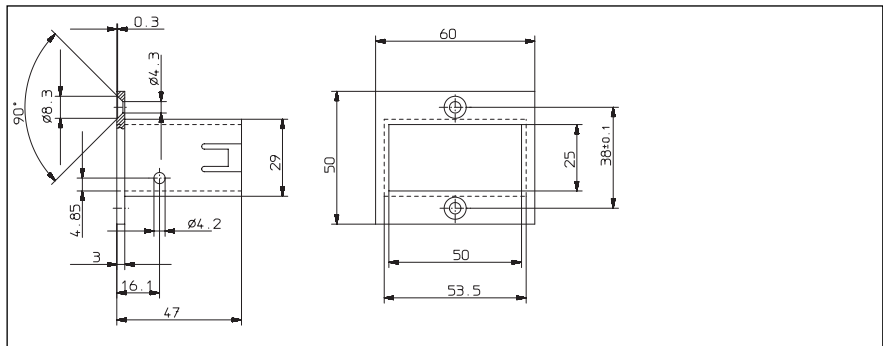
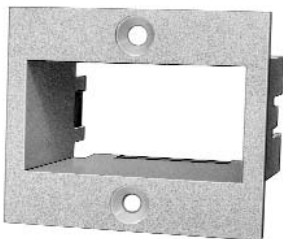
Bezel adapter for panel cut out 45 x 45 mm to 22,2 x 45



Suitable for counters:
CODIX 13x, **CODIX** 52x,
W15.5, W16.5, W17.5



Type F1B



- Plastic front bezel F1B for counters with panel cut-outs 50 x 25 mm.
- The counters plug into the respective socket box.

Ordering information:

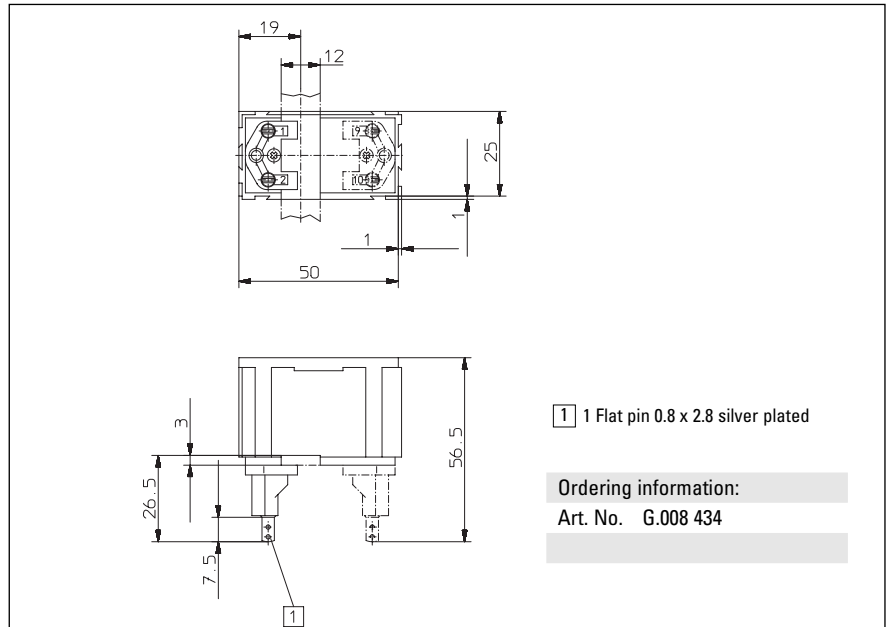
F1B	beige	Art. No. G.007 501
F1B	black	Art. No. G.007 502

Socket boxes

Type 945.2



Suitable for counters:
B and HB

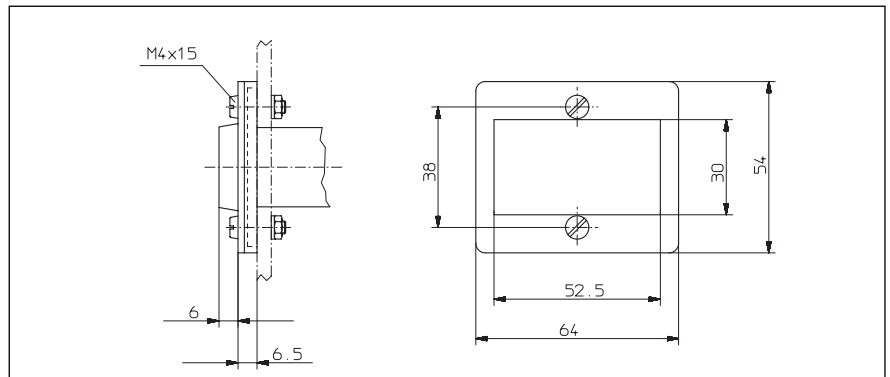


Flexible sealing cover

Type K 1



Suitable for counter types:
B 15.31, B16.31, B 16.30, B 18.30,
F1 B15.01, F1 B 16.01, F1 B 16.00,
F1 B18.00.



- Flexible sealing cover made of soft PVC, with varnished steel metal frame and fixing screws
- IP 54 protection to DIN 40050 when installed.

Ordering information::

grey Art. No. G.008 300

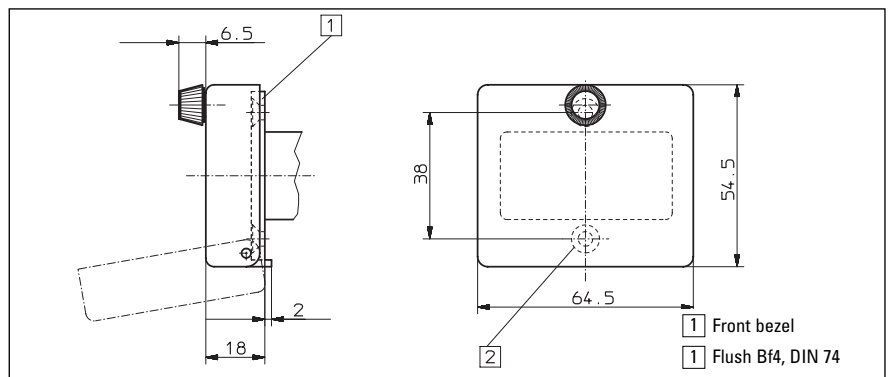
black Art. No. G.008 301

Flexible sealing covers

Transparent cover with key-lock 1 Dv



Suitable for counters:
H, B, HB or counters 24 x 48
in bezel adapter 50 x 60 mm



- Screw-on transparent cover, 1 DV, with key locking for size F1
- IP 65 protection with front bezel

Ordering information:

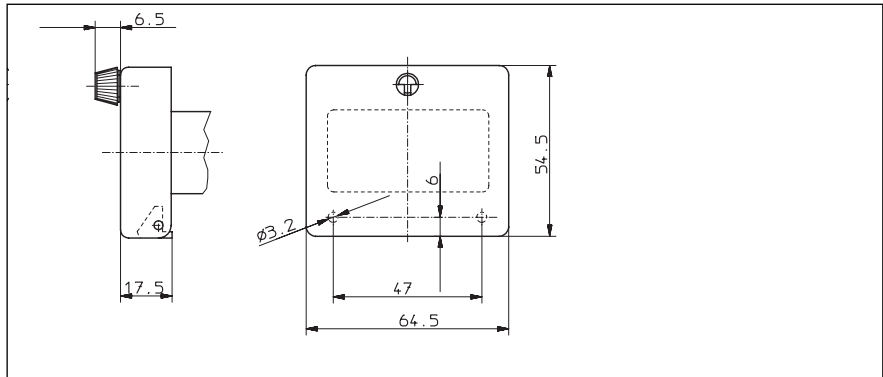
grey Art. No. N.003 002

Sealing covers

Transparent cover with key-lock 1 Dv



Suitable for counters:
H, B, HB or counters 24 x 48
in bezel adapter 50 x 60 mm



- Screw-on transparent cover, 1 DV, with key locking for size F1
- IP 65 protection
- With gaskets and screws

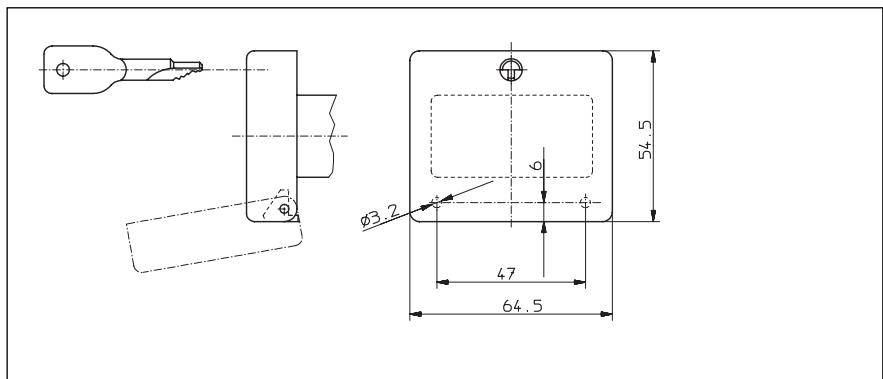
Ordering information:

grey Art. No. G008 121

Transparent cover with key lock 1 Dvs



Suitable for counters:
H, B, HB or counters 24 x 48
in bezel adapter 50 x 60 mm



- Screw-on transparent cover, 1 DVs, with key locking for size F1
- IP 65 protection
- With gaskets and screws

Ordering information:

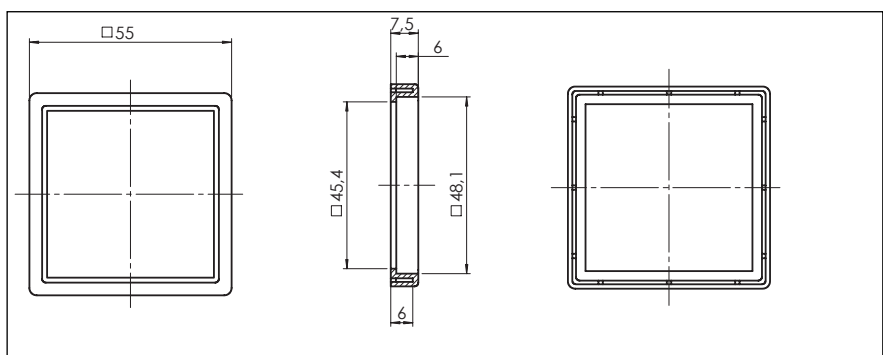
grey Art. No. N008 131

Bezels

Slip-on bezel 55



Suitable for counters:
H, HB, HC



- Bezel adapter 55 x 55 for adapting cut-out 50 x 50 to 45 x 45 mm

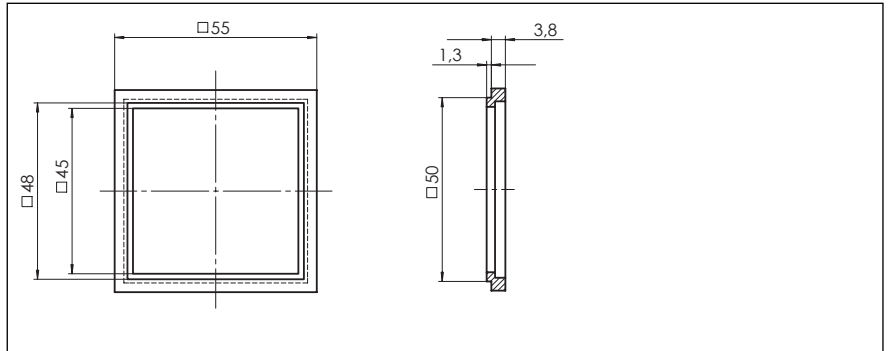
Ordering information:

black Art. No. T 008 171

grey Art. No. T 008 170

Bezel

Slip-on bezel 55

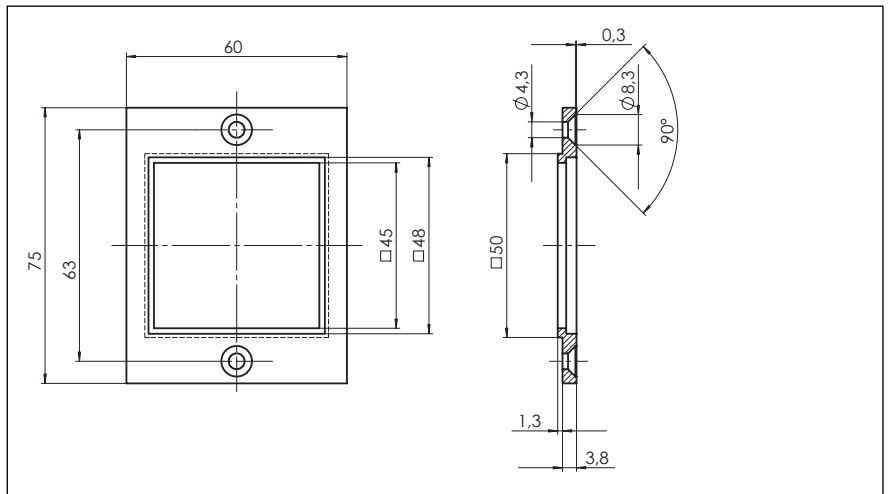


Suitable for counters:
901,903,904,715, **CODIX** 716/717,
910

• Bezel adapter for el. counters with panel
cut-out 45 x 45 mm

Ordering information:
black Art. No. T 008 853

Bezel adapter 45

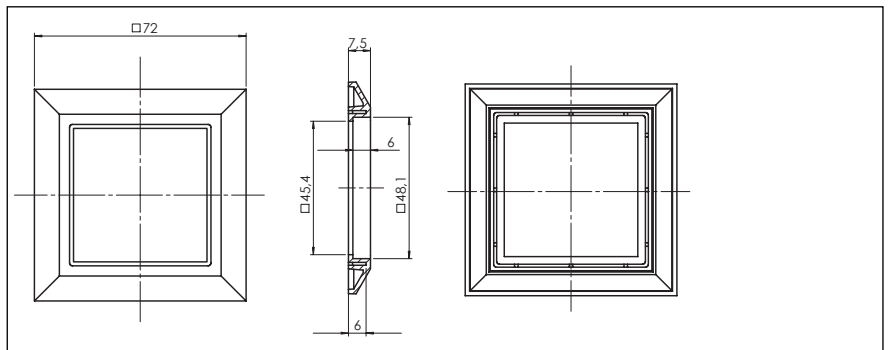


Suitable for counters:
901, 903, 904, 715, **CODIX** 716/717, 910

• Bezel adapter 50 x 50 to 45 x 45
for screw fixing

Ordering information:
black Art. No. T 008 860

Slip-on bezel 72



Suitable for counters:
715, **CODIX** 716, **CODIX** 717, 901, 903,
904,H57 and HC77

Ordering information:
black Art. No. T 008 177
grey Art. No. T 008 176

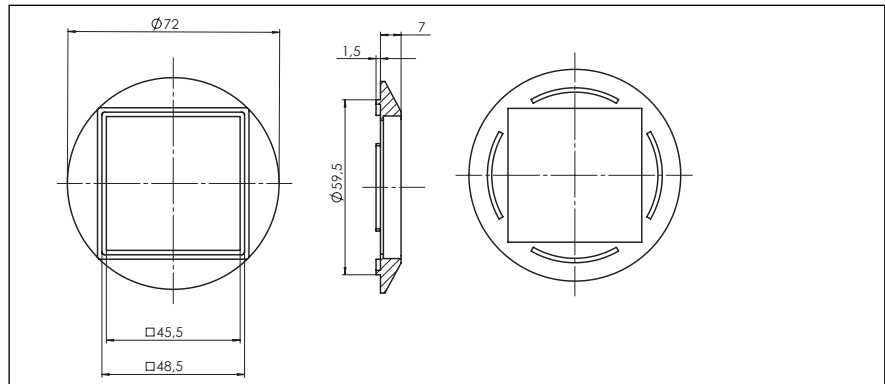
Arrester Art. No. T 009 420

Bezels

Slip-on bezel for bore \varnothing 60



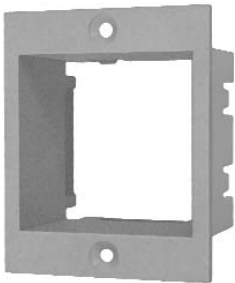
Suitable for counters:
H57 and HC77



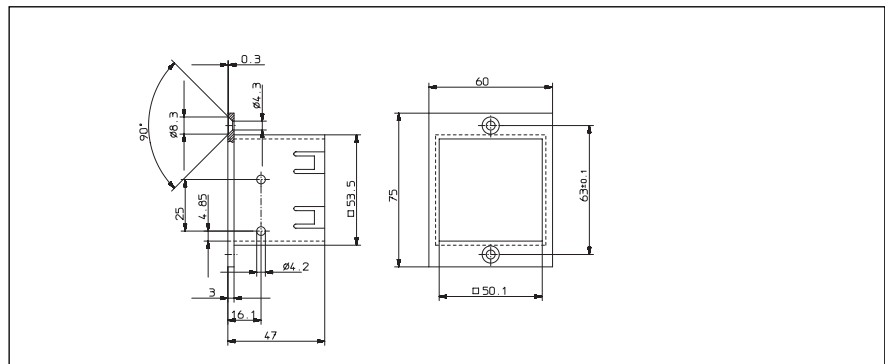
Ordering information:

black Art. No. N 510226

Type F2B



- Plastic front bezel F2B for counters with panel cut-out dimensions 50 x 50 mm.
- Suitable for counters Hva and HB



Ordering information:

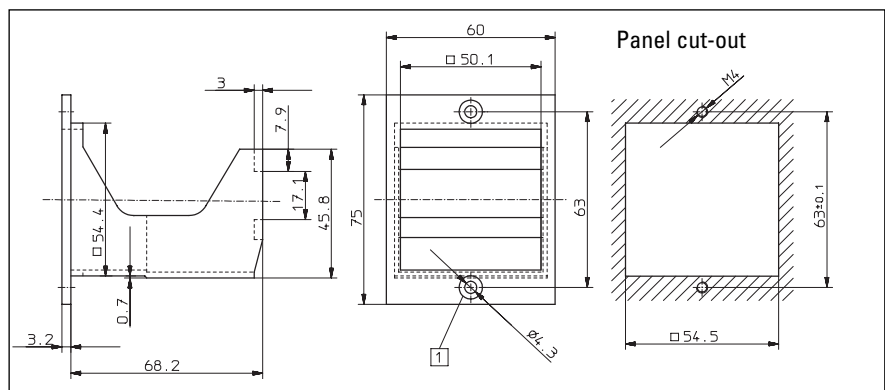
F2B beige Art. No. G.007.503

F2B black Art. No. G.007.504

Type F2M



Suitable for counter
MVs or M



1 Flush, Bf4, DIN 74

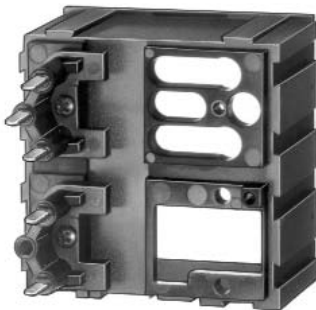
Ordering information:

F2M beige Art. No. T.008.105

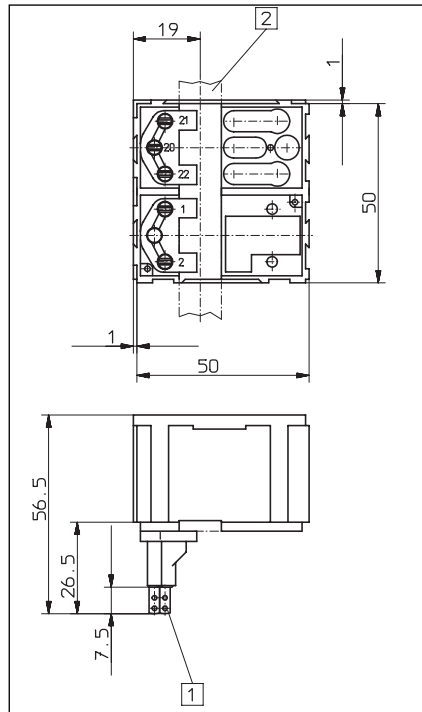
F2M black Art. No. T.008.106

Socket boxes

Socket box 946.1



Suitable for counter: BVa



- 1 Flat pin 0.8 x 2.8 mm silver plated
- 2 Fixing strip 3 x 12 mm

Ordering information:
Art. No. G.008 439

Socket boxes 926.1



Suitable for counter MVs

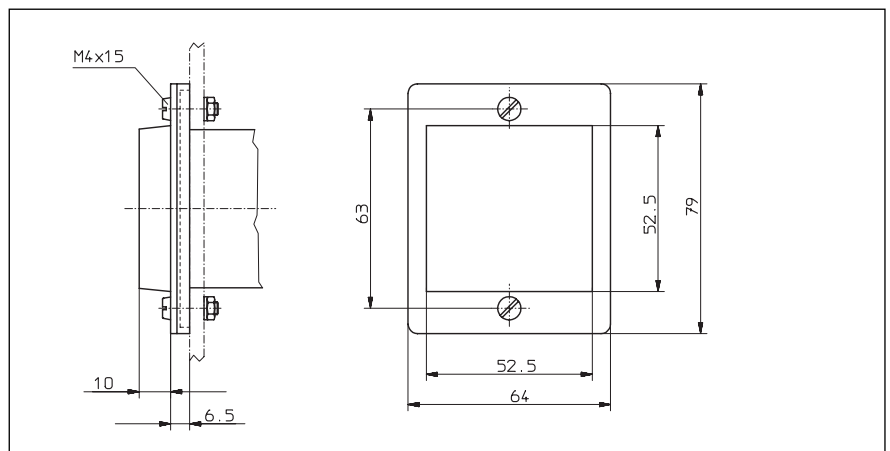
Ordering information
Art. No. G008 433

Sealing covers

Type K2



Suitable for counters:
BVa and B or el. preset counters with
bezel adapter 75 x 60 mm.



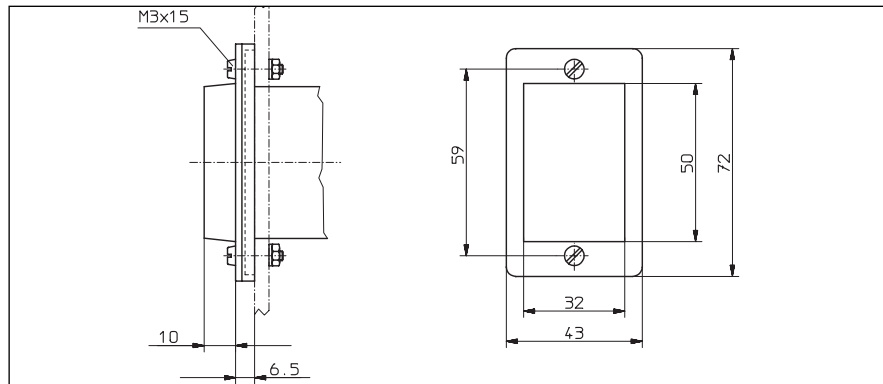
Ordering information
grey Art. No. G008302
black Art. No. G008303

Sealing covers

Type KV3



Suitable for counter:
MVs 13



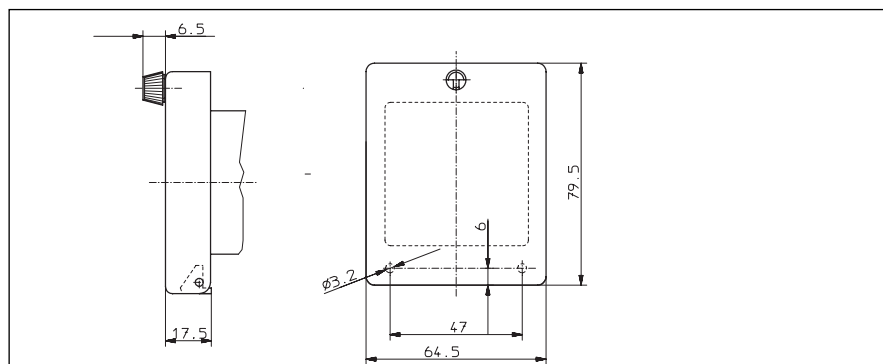
Ordering information:

grey	Art. No.	G008 310
black	Art. No.	G008 311

Type 2 DV



Suitable for counters:
BVa and B or el. preset counters with
bezel adapter 75 x 60 mm.



Ordering information

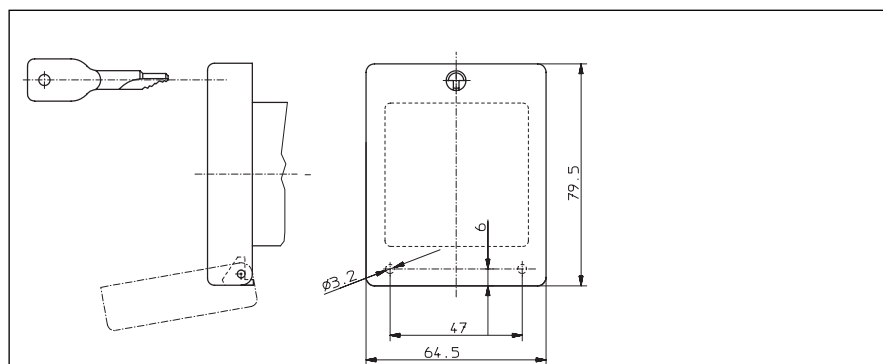
Art. No.	G008 141
----------	----------

- Screw-on transparent cover, 2 DV, with key locking for size 2
- IP 65 protection
- With gaskets and screws

Type 2 DVs



Suitable for counters:
BVa and B or el. preset counters with
bezel adapter 75 x 60 mm.



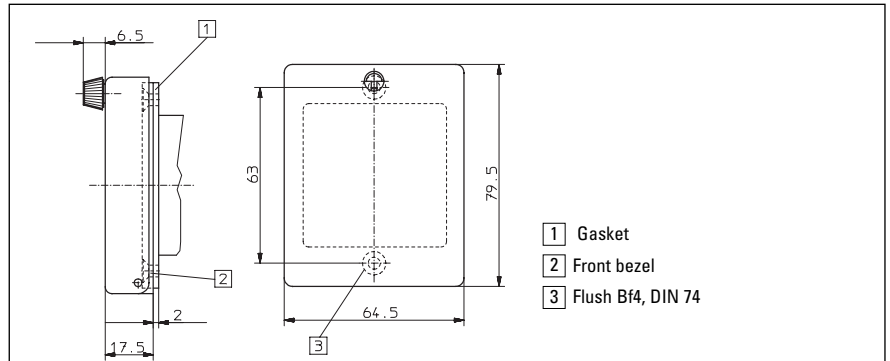
Ordering information

grey	Art. No.	G008 151
------	----------	----------

- Screw-on transparent cover, 2 DVs, with key locking for size 2
- IP 65 protection
- With gaskets and screws

Sealing covers

Lockable transparent cover



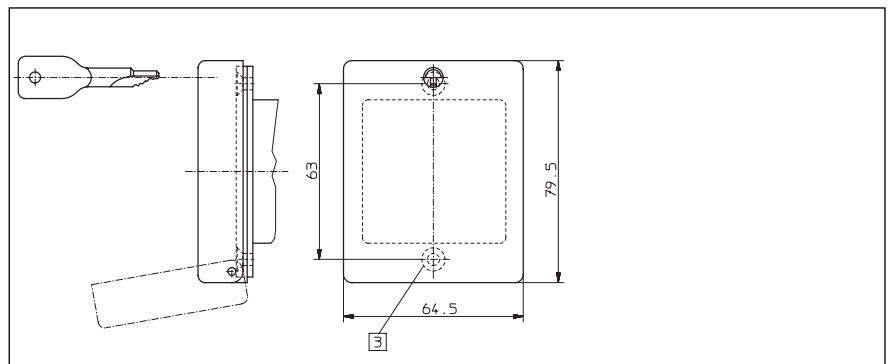
- 1 Gasket
- 2 Front bezel
- 3 Flush Bf4, DIN 74

Suitable for counter:
901, 903, 904, 715
CODIX 716/717, 910

Ordering information:

Art. No. G008 143

Lockable transparent cover, with key



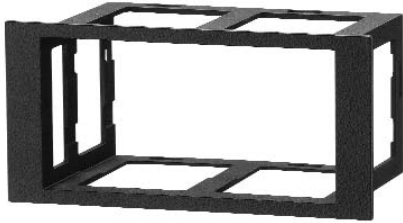
Ordering information

Art. No. G008153

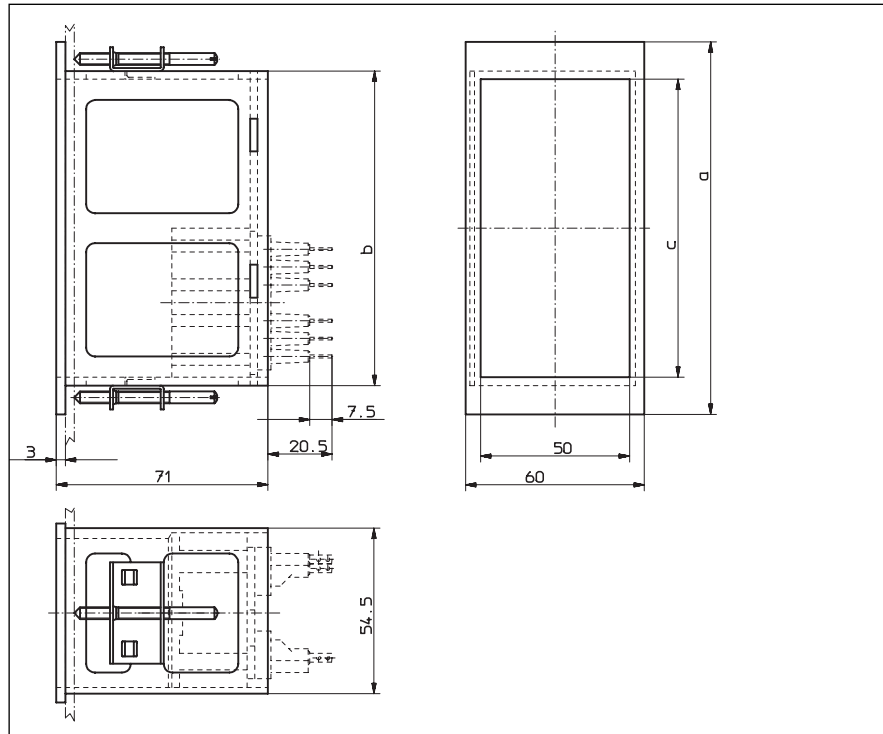
Suitable for counter:
901, 903, 904, 715
CODIX 716/717, 910

Front bezels

Type F3B
Type F4B



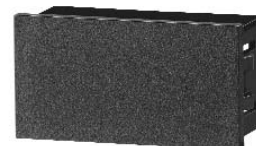
Suitable for counter:
1 x BVa, 1x B, 3 x B or HVa and HB



Front bezel	a	b	c
F3B	100	80,5	75
F4B	125	105,5	100

Ordering information		
F3B	Art. No.	G007 506
F4B	Art. No.	G007 509

Enclosure Blind
for cut out 25 x 50



Ordering information:
Art. No. T005 751

Ordering information:
Art. No. T005 753

Enclosure

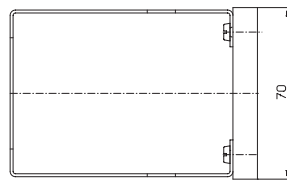
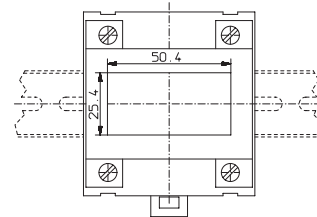
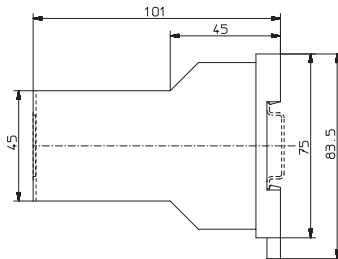


- For panel-mounting all counters, timers and process indicators, with DIN size 24 x 48 mm or 50 x 25 mm, such as **CODIX 52X**, **CODIX 53X**, **CODIX 13X** as well as electro-mechanical pulse counters and hour meters, such as H37, W17.50 etc.

Note:

when mounting the DIN 24 x 48 mm units in the enclosure, please use the 50 x 25 mm panel adaptor, which is provided with all electronic products.

Dimensions:



Order code: G.300.004

Further Accessories:

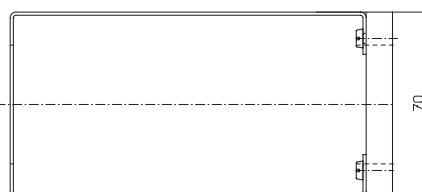
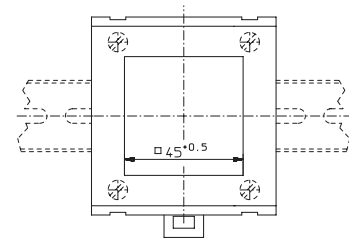
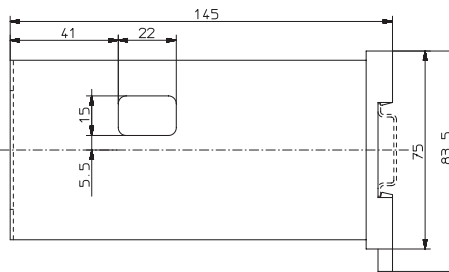
Bezel 25 x 50 for electromechanical counter with built-in dimension 22 x 45 mm.

Order code: T.008.180



- For panel-mounting all counters and timers of DIN size 48 x 48 mm, for example preset counter 715, **CODIX 716/717**, 901, 903/904 or time relay 910
- Cut-out \square 45 mm
- For snap-on fitting to 35 mm top hat DIN rails

Dimensions:



- Construction: Mounting panel for counter: chromate passivation sheet steel
Top hat DIN rail adaptor: glass fibre reinforced polyamide

• Applications include for example control cabinets

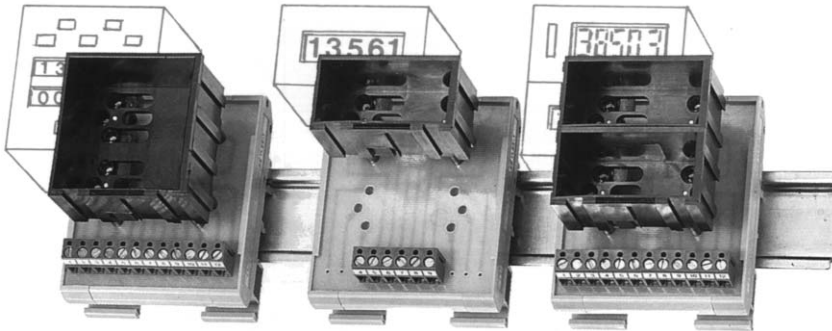
Order code: G.300.003

Rail mount frames SR 1, SR 2 and SR 3

Type SR 3

Type SR 1

Type SR 2



- SR1, SR2 and SR3 frames for rail mount can be snapped onto rails TS 35 x 7,5 and TS 35 x 15 as per DIN EN 50 022 respectively as per DIN EN 50 035.
- Electrical and electromechanical totalizer, present counters or hour meters may be plugged into the built-in socket

Applications:

Electrical switch or distribution box etc.

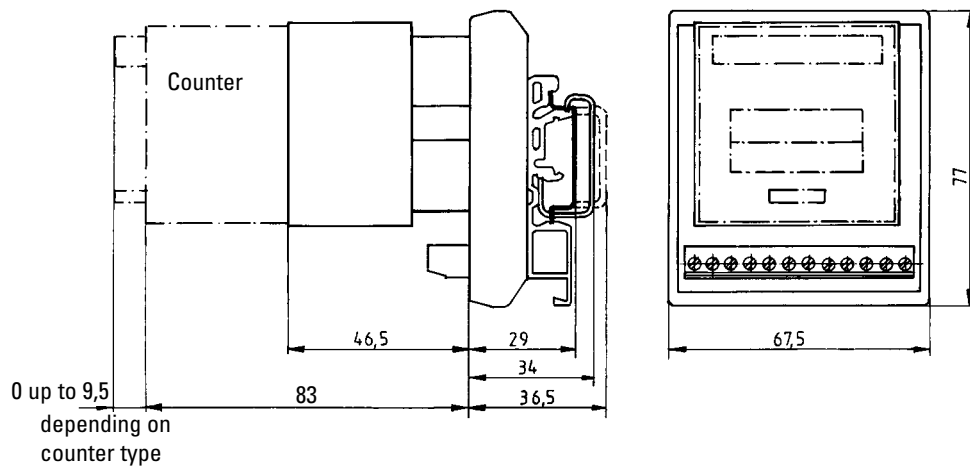
Connection:

Count mode	Type series	Frame	Counter position with SR 2 frame	Count input Terminal number
Adding counter	B 16.01, B 18.00	SR 1		7+8
		SR 2	top bottom	7+8 10+12

Ordering information:

- SR 1: Art.-No. G 300 000
- SR 2: Art.-No. G 300 001
- SR 3: Art.-No. G 300 002

Dimensions:

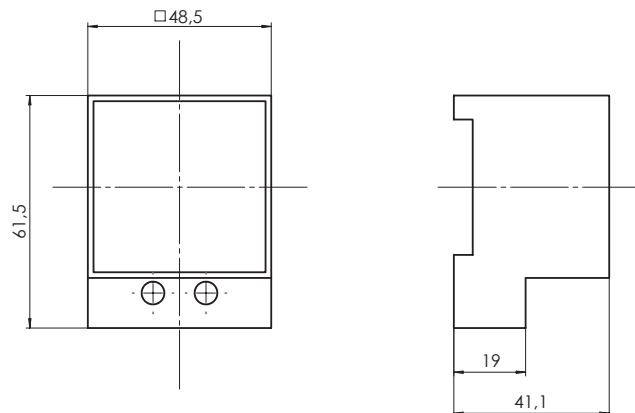


Terminal cover KA 37



Art. No. T051.687
(2-pcs. per counter required)

Add-on socket for H57, AH 57



Order information:

black	Art.-No.	G008 040
grey	Art.-No.	G008 041

Overview of sealing gaskets

Art. No.	Sealing gaskets for				
	Front bezel/Type	Cover	Add-on socket	External dimensions (A)	Internal dimensions (B)
N.511.003	F2 D			60 x 75	54,4 x 54,4
N.511.004		F2 D		58 x 58	50,2 x 50,2
N.511.005	F1 D			60 x 50	54,4 x 29,4
N.511.006		F1 D		58 x 33	50,2 x 25,2
N.511.011	MK14.1 MK16.10 HK17.151			39 x 40	33,3 x 22
N.511.015	H37.2, H37.4 HB26.21, HB27.00			53 x 28	50 x 25
N.511.016	H57.72			72 x 72	∅50,5 / 45
N.511.017	H57.55			55 x 55	∅50,5 / 45
N.511.018	H57			48 x 48	∅50 / 45
N.511.019	Panel cut-out cross section 25 x 50 and front plate size 3			60 x 50	50 x 25
N.511.020	Panel cut-out cross section 50 x 50 and front plate size 3			60 x 75	50 x 50
N.511.028	901 ... 904			48 x 48	45 x 45
N.511.029	H37, H37.5, 520 ... 530			48 x 24	45 x 22
N.511.031	54X, 55X			96 x 49	92 x 45
N.511.033	715, 901 ... 904			49 x 49	45 x 45
N.511.034	520 ... 529			49 x 25	45 x 22