

Type series H 37S

- 7 or 8 digit hour meter, Without reset, High shock resistance
- Small dimensions, magnified figures, Protection IP 65 (front)
- Data retention if power is lost, Long service life
- UL-approved

Versatile

- for power supplies 10-30 VDC, 100-130 VAC and 187-264 VAC

Applications:

general counting, service interval for measurement systems (respiratory ventilators, oxygen machines, dialysis machines), small appliances, UV lamps, display panels in cars.



Suits perfectly:

- for panel cut-outs 45 x 22 mm with front-panel dimensions 48 x 24 mm

Cost-effective:

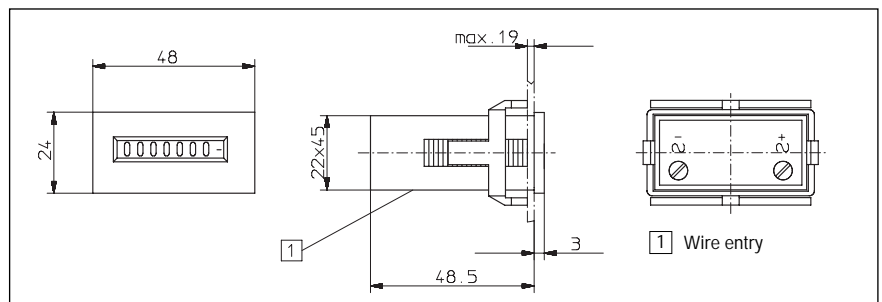
- thanks to ingenious manufacturing technology and large production runs

Technical data:

Electrical connection:	Screw terminal, tightening torque max 0,8 Nm
Power consumption:	10 ... 30 V DC: approx. 500 mW 100 ... 130 V AC, 50 Hz: approx. 0,6 VA 187 ... 264 V AC, 50 Hz: approx. 1,2 VA
Rated voltages:	100 ... 130/187 ... 264 V AC 10 ... 30 V DC
On time:	100 %
Display:	7 at AC: 99999,99 h 8 at DC: 999999,99 h
Resolution:	0,01 h -> 36 s
Height of figures:	4 mm [0.158"]
Colour of figures:	white and red on black
Reset:	no
Ambient temperature:	-15 ... +50 °C [14 °F ... 122 °F]
Relative humidity	< 95% (non-condensing)
Mounting position:	any
Protection:	IP 65 (front-side, built in)
Housing:	Plastic Types with IP 65 are sealed

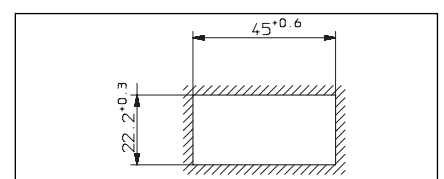
Accuracy:	AC: Supply frequency + 30 ms DC: < 0.003 % (24 h)
H 37 approx.	50 g [1.764 oz]
Slip on bezel 37.1	6 g [0.212 oz]
Slip on bezel 37.2	2 g [0.071 oz]
Warranty	2 years
Accessories:	
Slip on bezel 37.1	black: Art-No.: T008.161
Slip on bezel 37.2	black: Art-No.: T008.165
Terminal cover KA37	2 pcs required per counter Art-No.: T051.687
Seal:	Art-No.: N511015 for H 37.2 and H 37.4 Art-No.: N511029 for H 37 and H 37.5
Approvals:	UL for USA and Canada E128604

H 37S



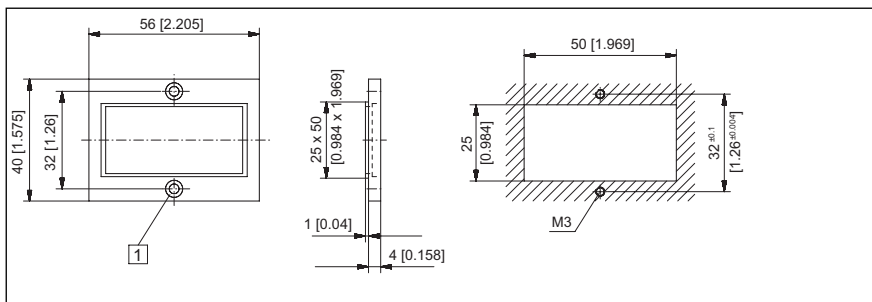
Voltage	Art-No. (AC), 50 Hz	Art-No. (V DC)
10 ... 30		3.24S.201.351
100 ... 130	3.24S.201.074	
187 ... 264	3.24S.201.075	

Panel cut-out



Type series H 37S - Accessories

Slip on bezel 37.1



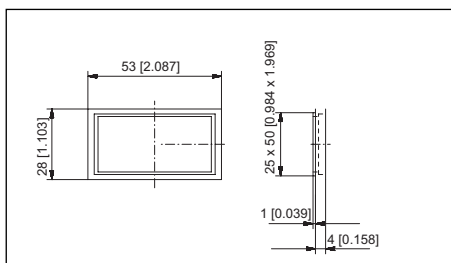
1 Countersunk Af3, DIN 74

Panel cut-out 50 x 25 mm [1.969 x 0.984"] black: Art-No. T008.161

Slip on bezel 37.2



Panel cut-out 50 x 25 mm [1.969 x 0.984"] black: Art-No.: T008.165



Terminal cover KA 37



black: Art-No.: T051.687
(2 pcs required/counter)



Sealing gasket for H37 and H37.5:
Art-No.: N511.029

Sealing gasket for H37.2 and H37.4:
Art-No.: N511.015