

## Codix 54U, Multipurpose device with dual function

- Universal, with dual functions, also suitable as maintenance counter
- 2 pulse or time counters for measuring daily and total values
- Count frequency 60 kHz
- Four dual functions in one device, saves on inventory costs

### Operating modes:

Electronic totalizer and frequency counter, counter with 2 totalizing ranges, totalizer and timer, timer with 2 time ranges



Separate multiplication and scaling factor for pulse and frequency counter

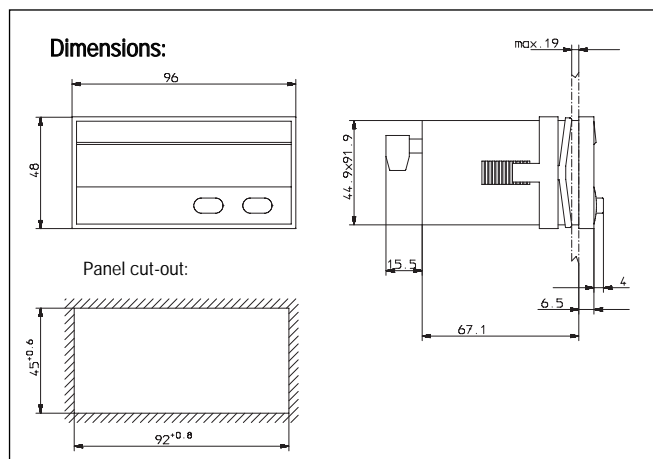
Connection via plug-in screw terminals

### Technical data

Supply voltage	10 ... 30 V DC, with reverse polarity protection 90 ... 260 V AC
Current consumption:	max. 50 mA, 6 VA
Display:	6 digit red 7 segment LED display; 14 mm high
Data backup:	EEPROM
Housing:	Dimensions 96 x 48 mm according to DIN 43 700; RAL 7021, grey
Polarity of Inputs:	programmable, npn or pnp for all inputs
Input resistance:	appr. 5 k $\Omega$
Counting frequency*:	60 kHz, can be damped to 30 Hz depending on operating mode
Reset time:	5 ms
Input switching level (standard version):	DC-version: Low: 0 ... 0.2 x U <sub>B</sub> [V DC] High: 0.6 x U <sub>B</sub> ... 30 V DC

	AC-version: Low 0 ... 4 V DC High 12 ... 30 V DC
Input switching level (5 V version):	Low 0 ... 2 V DC High 4 ... 30 V DC
Voltage supply for sensors:	24 V DC $\pm$ 15 %/100 mA at AC versions
Accuracy:	<0.1 % (Frequency display/Rate meter)
Ambient temperature:	-20 ... +65 °C, non-condensing
Storage temperature:	-25 ... +70 °C
EMC:	according to EC EMC directive 89/36/EWG
Immunity to interference:	EN 61 000-6-4/EN 55011 class B
Emitted interference:	EN 61 000-6-2
Protection:	IP65 (from front)
Weight:	appr. 150 g

\*for further specifications please refer to the manual

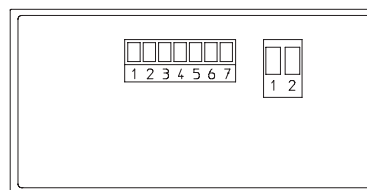


Order code:  
**6.54U.012.XX0**

Input switching level  
0 = Standard  
A = 5 V level

Power supply  
0 = 90 ... 260 V AC  
3 = 10 ... 30 V DC

### Connection:



#### Connection X2

Pin	AC-Version	DC-Version
1	90 ... 260 V AC	0 V DC (GND)
2	90 ... 260 V AC	10 ... 30 V DC

#### Connection X1

Pin	AC-Version	DC-Version
1	n.c.	
2	n.c.	
3	Reset	
4	INP B	
5	INP A	
6	GNDout	n.c.
7	+24 Vout	n.c.

### Scope of delivery:

Digital display  
Mounting clip

Seal  
Multilingual operating instructions