

Codix 54P, Position and frequency display

- High count speed, numerous programming options
- Separate multiplication and scaling factor for pulse and frequency counter
- Position display with various count modes, tachometer with time-base (gate time) or time-interval (process time) with an accuracy <0.1% (HRA system)

Scaling factor 0.0001 ... 99.9999
Division factor 0.0001 ... 99.9999

Separate inputs for position and frequency display



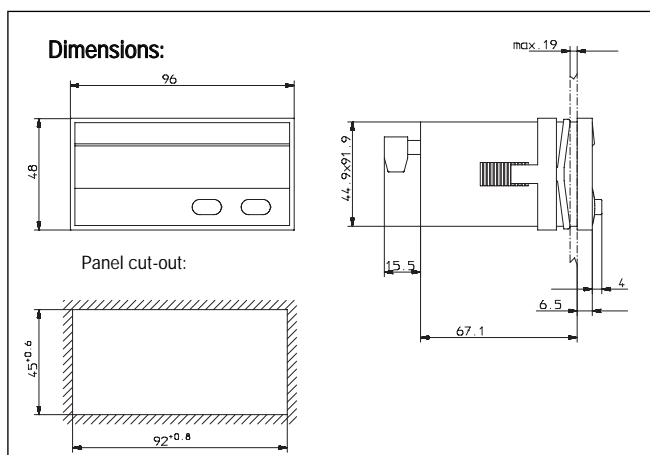
Wide power supply range

Key to switch between position and frequency display

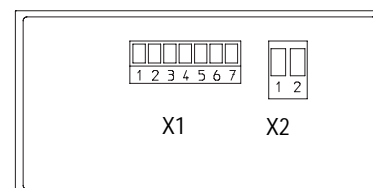
Technical data

Supply voltage	10 ... 30 V DC, with reverse polarity protection 90 ... 260 V AC
Current consumption:	max. 50 mA, 6 VA
Display:	6 digit red 7 segment LED display; 14 mm high
Data backup:	EEPROM
Housing:	Dimensions 96 x 48 mm according to DIN 43 700; RAL 7021, grey
Polarity of Inputs:	programmable, npn or pnp for all inputs
Input resistance:	appr. 5 kΩ
Counting frequency*:	max. 30 kHz, can be damped to 30 Hz depending on operating mode
Input switching level (standard version):	DC version: Low: $0 \dots 0.2 \times U_B$ [V DC] High: $0.6 \times U_B \dots 30$ V DC

	AC version:
	Low 0 ... 4 V DC
	High 12 ... 30 V DC
Input switching level (5 V version):	High 0 ... 2 V DC Low 4 ... 30 V DC
Voltage supply for sensors:	24 V DC $\pm 15\%$ /100 mA at AC version
Ambient temperature:	-20 ... +65 °C, non-condensing
Storage temperature:	-25 ... +70 °C
EMC:	according to EC EMC directive 89/36/EWG
Immunity to interference:	EN 61000-6-4/EN 55011 class B
Emitted interference:	EN 61000-6-2
Protection:	IP65 (from the front)
Weight:	appr. 150 g



Connection:



Connection X2

Pin	AC-Version	DC-Version
1	90 ... 260 V AC	0 V DC (GND)
2	90 ... 260 V AC	10 ... 30 V DC

Connection X1

Pin	AC-Version	DC-Version
1	n.c.	
2	n.c.	
3	INP C (Frequency)	
4	INP B (Count)	
5	INP A (Count)	
6	GNDout	n.c.
7	+24 Vout	n.c.

Order code:

6.54P.012.XX0

Input switching level
0 = Standard
A = 5 V level

Voltage supply
0 = 90 ... 260 V AC
3 = 10 ... 30 V DC

Scope of delivery:
Digital display
Mounting clip

Seal
Multilingual operating instructions