

CODEX52U, Universal with double function

- Universal, with dual functions, also suitable as maintenance counter
- 2 pulse or time counters for measuring daily and total values
- Count frequency 60 kHz
- Four dual functions in one device, saves on inventory costs

Operating modes:

Electronic totalizer and frequency counter, counter with 2 totalizing ranges, totalizer and timer, timer with 2 time ranges



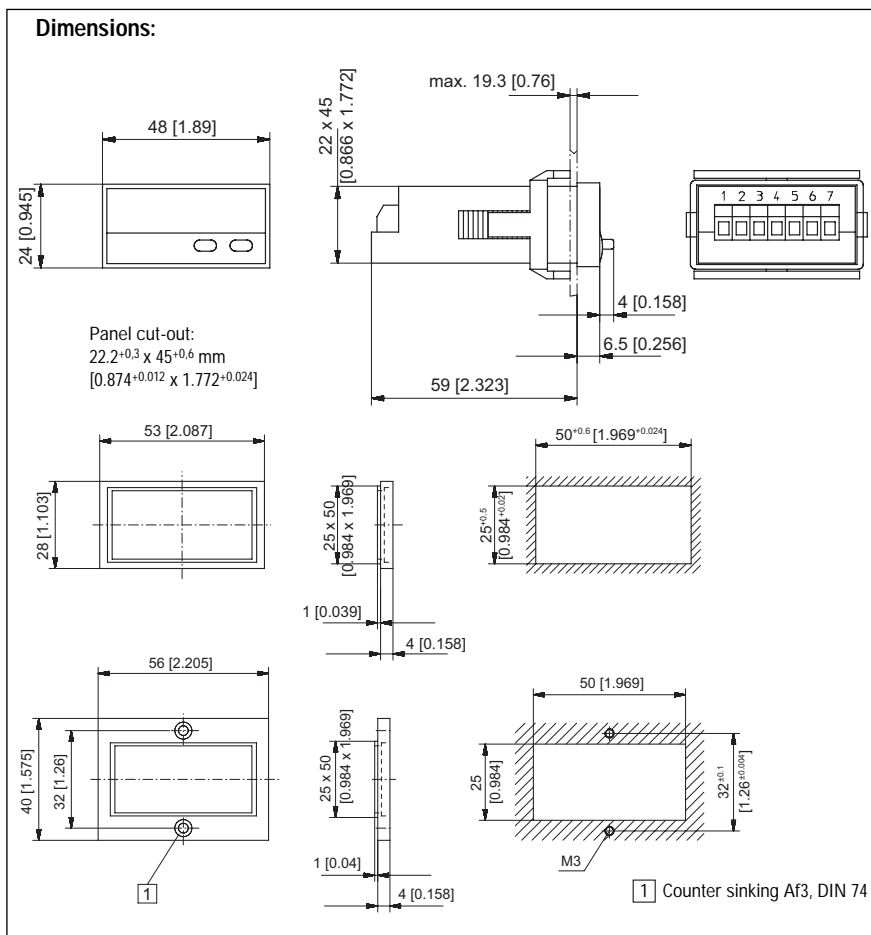
Separate multiplication and scaling factor for pulse and frequency counter

Connection via plug-in screw terminals

Technical data:

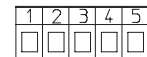
Supply voltage:	10 ... 30 V DC, with reverse polarity protection	Level of inputs: Standard version	Low: 0 ... 0,2 x UB [V DC] High: 0,6 x UB ... 30 V DC
Current consumption:	max. 40 mA	Level of inputs: 5 V version	Low: 0 ... 2 V DC High: 4 ... 30 V DC
Display:	6 digit red 7-segment LED; 8 mm [0.315"] high	Accuracy:	<0,1 % (frequency display/tachometer)
Data backup:	EEPROM	Ambient temperature:	-10 ... +50 °C [14 °F ... 112 °F], non-condensing
Housing:	Dimensions 48 x 24 mm [1.89 x 0.945"] according to DIN 43 700; RAL 7021, grey	Storage temperature:	-25 ... +70 °C [-13 °F ... 158 °F]
Polarity of Inputs:	programmable, npn or pnp for all inputs	EMC:	according to EC EMC directive 89/36/EWG
Input resistance:	approx. ca 5 kΩ	Immunity to interference:	EN 61000-6-4/EN 55011 class B
Counting frequency:	max. 60 kHz, can be damped to 30 Hz	Emitted interference:	EN 61000-6-2
Reset time:	5 ms	Protection:	IP65 (front)
Resolution counter:	0,001 sec ... 999999 h	Weight:	approx. 50 g [1.764 oz]

Dimensions:



Connections:

- 10 ... 30 V DC
- 0 V GND
- INP A
- INP B
- Reset



Delivery specification

- 1 Digital display
- 1 Panel mounting clip
- 1 Bezel for screw mounting, panel cut out 50 x 25 mm [1.969 x 0.984"]
- 1 Bezel for clip mounting, panel cut out 50 x 25 mm [1.969 x 0.984"]
- 1 Seal
- 1 Multilingual operating instructions

6.52U.012.3X0

Level of the inputs
0 = Standard
A = 5 V