

COXX52P, Position display and frequency meter

- High count speed, numerous programming options
- Separate multiplication and scaling factor for pulse and frequency counter
- Position display with various count modes, tachometer with time-base (gate time) or time-interval (process time) with an accuracy <0.1% (HRA system)

Scaling factor 0.0001 ... 99.9999
Division factor 0.0001 ... 99.9999

Separate inputs for position and frequency display



Wide power supply range

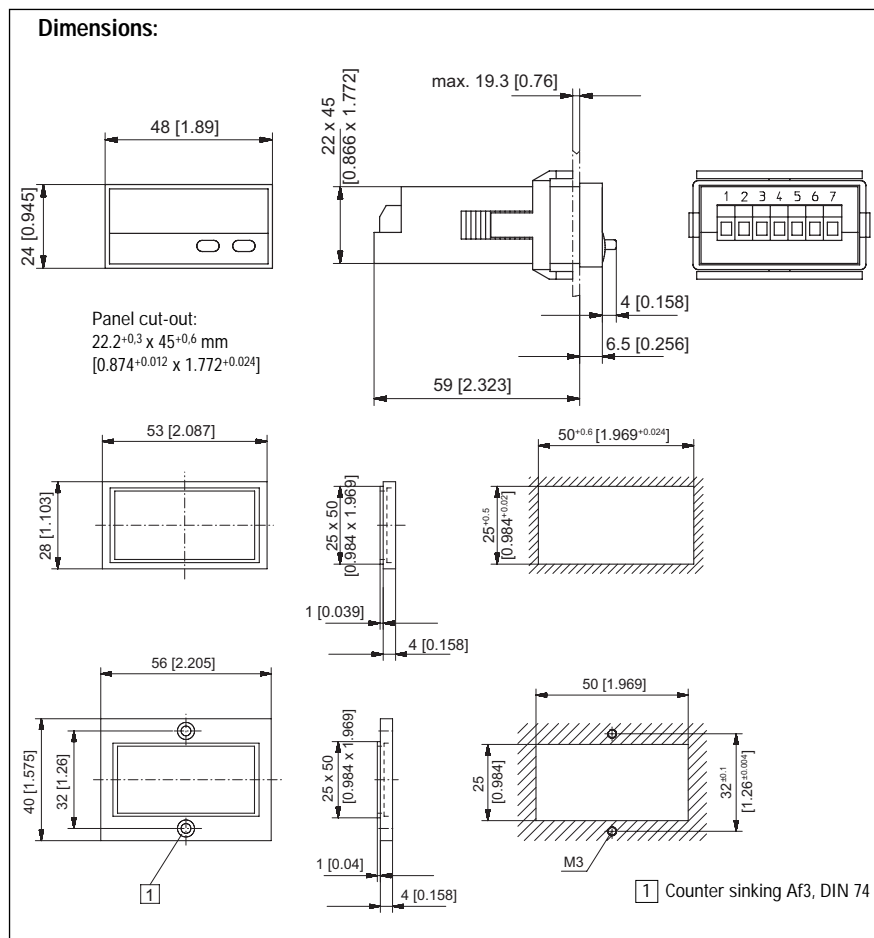
Key to switch between position and frequency display

Technical data:

Supply voltage:	10 ... 30 V DC, with reverse polarity protection
Current consumption:	max. 40 mA
Display:	6 digit red 7-segment LED; 8 mm [0.315"] high
Data backup:	EEPROM
Housing:	Dimensions 48 x 24 mm [1.89 x 0.945"] according to DIN 43 700; RAL 7021, grey
Polarity of Inputs:	programmable, npn or pnp for all inputs
Input resistance:	approx. ca 5 kΩ
Counting frequency:	max. 30 kHz, can be damped to 30 Hz
Reset time:	5 ms
Resolution time meter:	0,001 sec ... 999999 h

Level of inputs: Standard version	Low: 0 ... 0,2 x UB [V DC] High: 0,6 x UB ... 30 V DC
Level of inputs: 5 V version	Low: 0 ... 2 V DC High: 4 ... 30 V DC
Accuracy:	<0,1 % (frequency display/tachometer)
Ambient temperature:	-10 ... +50 °C [14 °F ... 112 °F], non-condensing
Storage temperature:	-25 ... +70 °C [-13 °F ... 158 °F]
EMC:	according to EC EMC directive 89/36/EWG
Immunity to interference:	EN 61 000-6-4/EN 55 011 class B
Emitted interference:	EN 61 000-6-2
Protection:	IP65 (front)
Weight:	approx. 50 g [1.764 oz]

Dimensions:



Connections

- 1 10 ... 30 V DC
- 2 0 V GND
- 3 INP A (count)
- 4 INP B (count)
- 5 INP C (frequency)



Delivery specification

- 1 Digital display
- 1 Panel mounting clip
- 1 Bezel for screw mounting, panel cut out 50 x 25 mm [1.969 x 0.984"]
- 1 Bezel for clip mounting, panel cut out 50 x 25 mm [1.969 x 0.984"]
- 1 Seal
- 1 Multilingual operating instructions

Order code:
6.52P.012.3X0

Level of the inputs
0 = Standard
A = 5 V